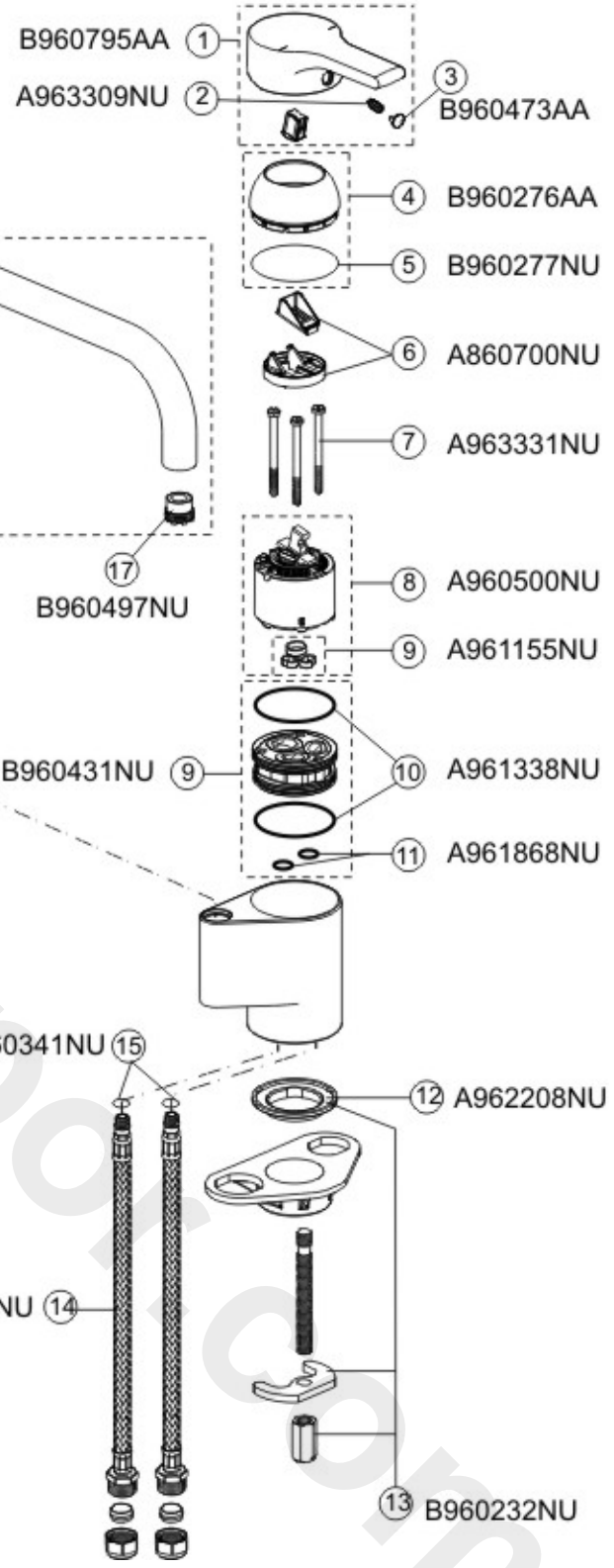
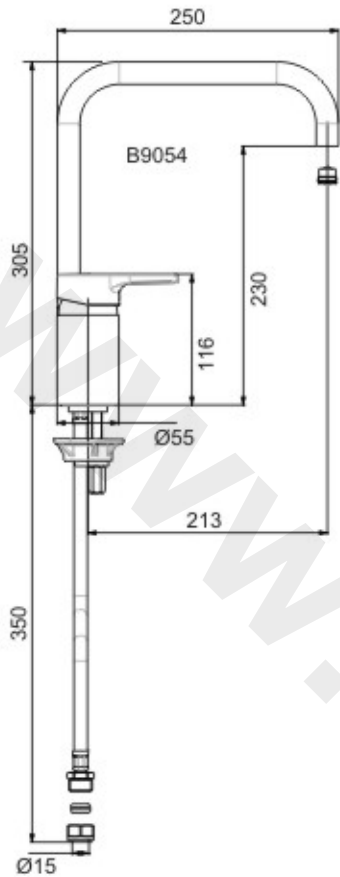
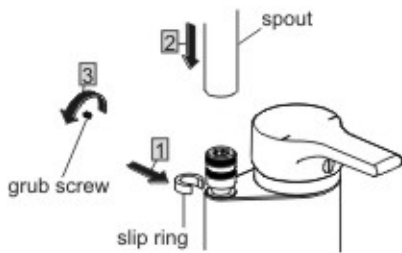


Produced from March 2009



Fixation of swivel spout



Pos.	Description	Part-Number	Qty.	Pos.	Description	Part-Number	Qty.
1	Handle complete	B960795AA	1 pcs	10	O-rings	A961338NU	1 set
2	Grub screw	A963309NU	1 pcs	11	O-rings	A961868NU	1 set
3	Screw cap index	B960473AA	1 pcs	12	Sealing washer	A962208NU	
4	Shroud	B960276AA	1 pcs	13	Fixing set	B960232NU	1 set
5	O-ring	B960277NU	1 pcs	14	Flexible inlet tail	B960511NU	2 pcs
6	Click mechanism	A860700NU	1 set	15	O-rings	B960341NU	2 pcs
7	Screws for cartridge fixing	A963331NU	3 pcs	16	Spout seal set	F960023NU	1 set
8	Cartridge 47mm	A960500NU	1 pcs	17	Flow straightener	B960497NU	1 pcs
9	Cartridge seals	A961155NU	1 set				