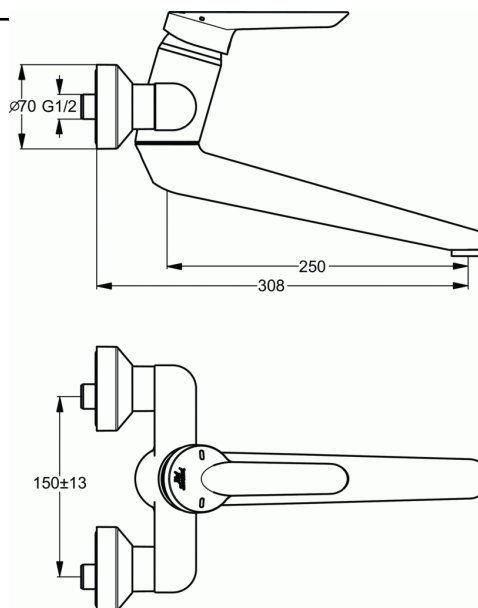


## CERAPLUS

### Exposed basin mixer with 250 mm spout standard with S-connectors with noise reducers



#### Exposed basin mixer with 250 mm spout standard with S-connectors with noise reducers

Standard S-connectors with noise reducers  
 Aerator - PCA Laminar M24x1 Full Flow; Anti-vandal  
 Ideal Standard 47 mm ceramic cartridge with CLICK  
 Hot Water Temperature Control  
 Handle - 120 mm, with red and blue indicators  
 Spout 150 mm  
 Spout fixation options for: middle position fixation; limited rotation  $\pm 45^\circ$   
 Non-limited rotation  
 Sealed escutcheons  
 Covered nuts

#### FINISHES\*



AA

\* AA = Chrome

#### VARIANTS

|  |       |
|--|-------|
| Exposed basin mixer with 150 mm spout, On-Off S-connectors with noise reducers       | B8215 |
| Exposed basin mixer with 250 mm spout, On-Off S-connectors with noise reducers       | B8216 |
| Exposed basin mixer with 150 mm spout standard with S-connectors with noise reducers | B8312 |