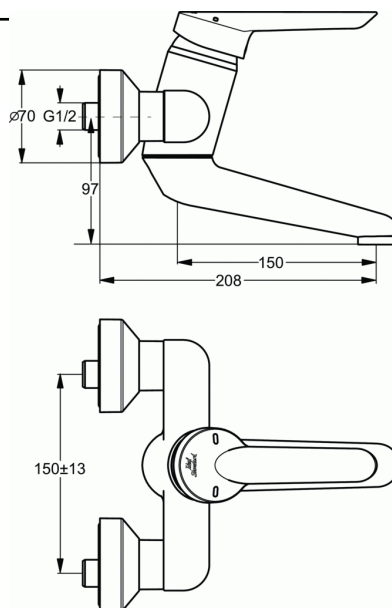


CERAPLUS

Exposed basin mixer with 150 mm spout standard with S-connectors with noise reducers



Exposed basin mixer with 150 mm spout standard with S-connectors with noise reducers

Standard S-connectors with noise reducers
 Aerator - PCA Laminar M24x1 Full Flow; Anti-vandal
 Ideal Standard 47 mm ceramic cartridge with CLICK
 Hot Water Temperature Control
 Handle - 120 mm, with red and blue indicators
 Spout 150 mm
 Spout fixation options for: middle position fixation; limited rotation $\pm 45^\circ$
 Non-limited rotation
 Sealed escutcheons
 Covered nuts

FINISHES*



AA

* AA = Chrome

VARIANTS

| | |
|--|-------|
| Exposed basin mixer with 150 mm spout, On-Off S-connectors with noise reducers | B8215 |
| Exposed basin mixer with 250 mm spout, On-Off S-connectors with noise reducers | B8216 |
| Exposed basin mixer with 250 mm spout standard with S-connectors with noise reducers | B8313 |