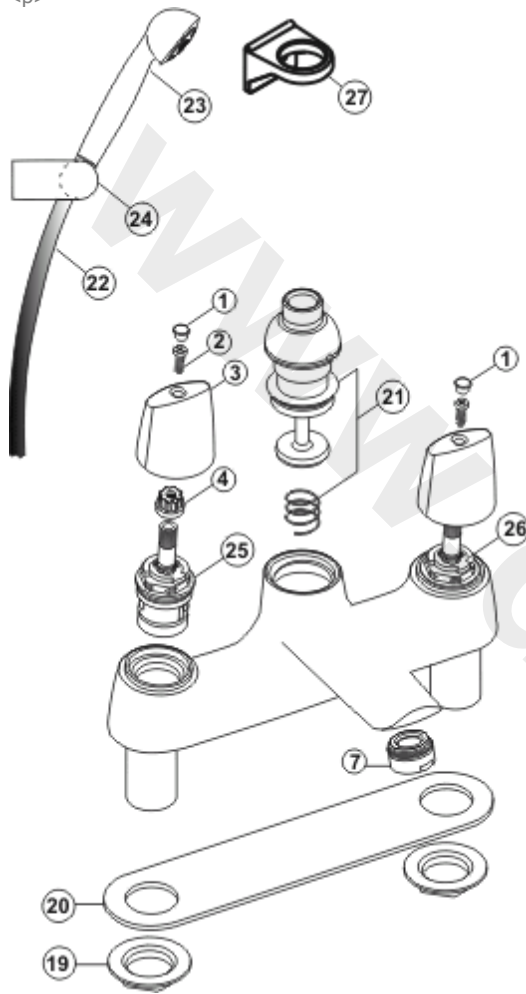


<p>



Ref.	Description
a	Red index button
1b	Blue index button
2	Screw M4 x 12mm
3	Ceraplan Disc handle
4	Drive insert
7	Flow straightener
19	Bath pillar tap fixing set
20	Sealing gasket, 2-hole bath fittings
21	Divertor, 2-hole bath/shower mixer
22	Shower hose, 2-hole mixer
23	Shower handspray
24	Showering station
25	¾" SE Cartridge hot
26	¾" SE Cartridge cold
27	Shower hose restraining bracket

Part No.
B960516NU
B960517NU
B960599NU
B960597AA
E960053NU
S9635AA
B960471NU
E911706NU
B960522AA
E4745AA
B950791AA11
S960164AA
S960023NU
S960023NU
EEM134901AA

NB -- colour/finish options

Chrome = AA