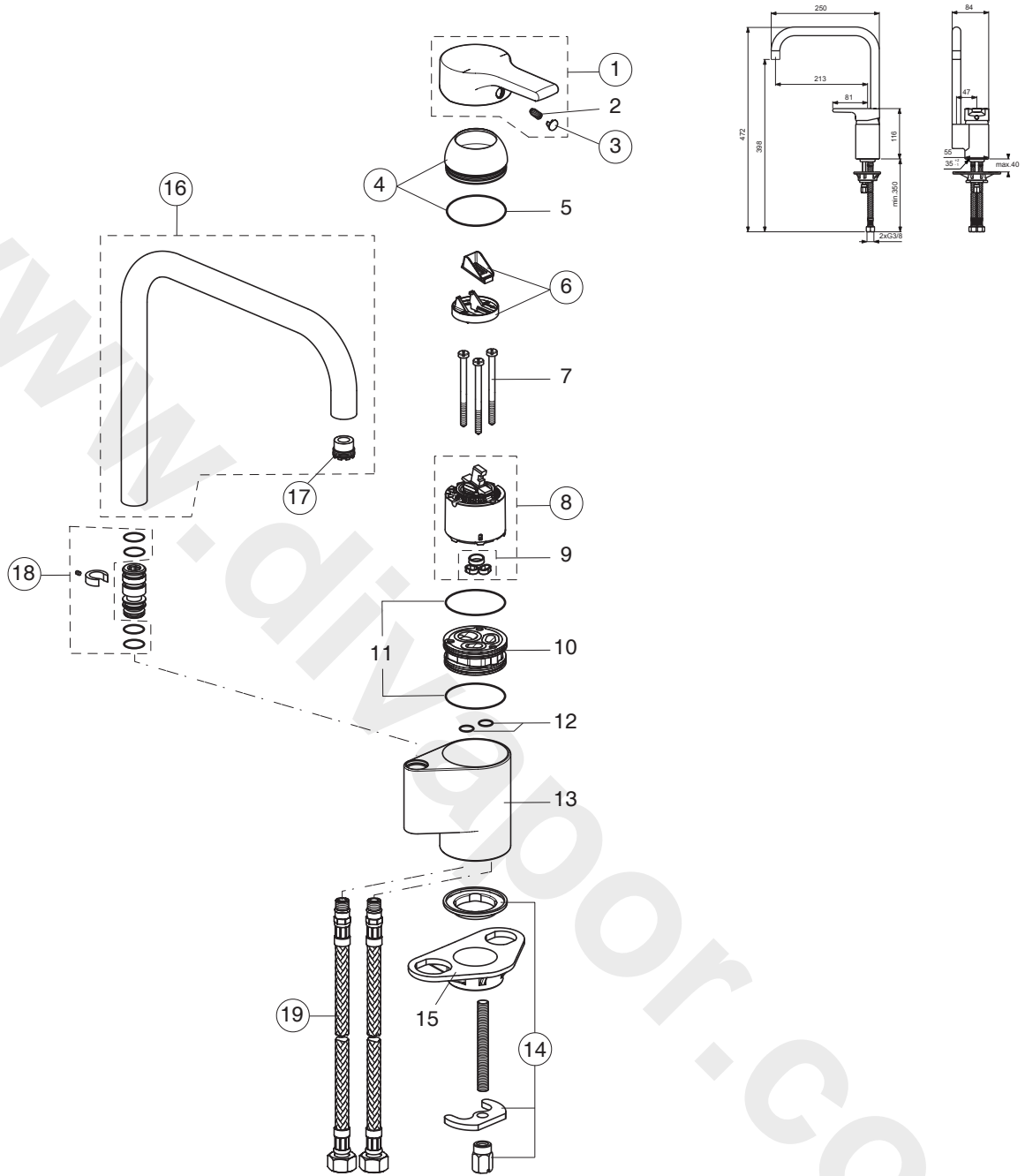


# ACTIVE (B8084XX)



For XX = Coverage - Designate:  
AA=chrome, GN=ultra/steel

For Instance:  
B 960672AA for chrome

Pos.	Signify	Spare parts-Nr.	Quantity	Pos.	Signify	Spare parts-Nr.	Quantity
1	Lever, w/logo ISI-compl.	B960672XX	1 Pcs.	15	U plate support bracket fixing kit		1 Pcs.
2	Screw M5x10		1 Pcs.	16	Tub.spout U230mm-compl.	B960498XX	1 Set
3	Cap decorative	B960473XX	1 Pcs.	17	Flowstraightener cache	B960497NU	1 Pcs.
4	Rosette-compl.	B960276XX	1 Set	18	Sealing set for tub.spout	F960023NU	1 Set
5	O-Ring Ø40x1		1 Pcs.				
6	Volume stop	A860700NU	1 Pcs.				
7	Screw M4x59		3 Pcs.	19	Flex hose G3/8 M10x1/L445	B960474NU	1 Pcs.
8	Cartridge Ø47mm	A960500NU	1 Pcs.				
9	O-Ring-set		1 Set				
10	Manifold		1 Pcs.				
11	O-Ring Ø 44x2		2 Pcs.				
12	O-Ring Ø 9.25x1.78		2 Pcs.				
13	Body kitchen		1 Pcs.				
14	Connecting set	B960232NU	1 Set				