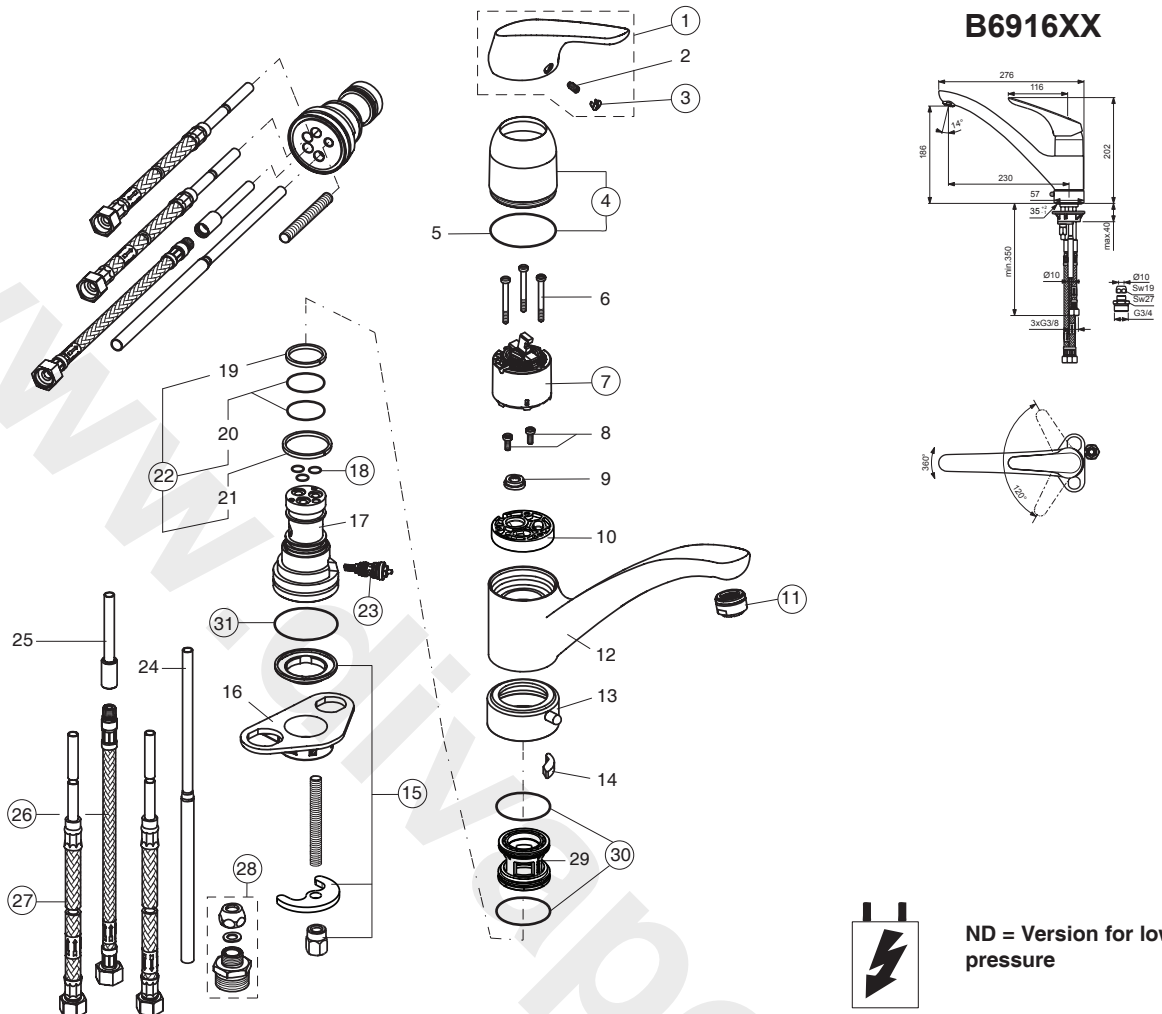


# CERASPRINT NEW



For XX = Coverage - Designate:  
AA=chrome, GN=ultra/steel

For Instance:  
B 960738 AA for chrome

| Pos. | Signify                            | Spare parts-Nr | Quantity | Pos. | Signify                | Spare parts-Nr | Quantity |
|------|------------------------------------|----------------|----------|------|------------------------|----------------|----------|
| 1    | Lever,w/logo ISI-compl.            | B960738XX      | 1 Pcs.   | 21   | Gleitring 34.6-38.9-3  |                | 1 Pcs.   |
| 2    | Screw M5x8                         |                | 1 Pcs.   | 22   | Service kit spout      | B960231NU      | 1 Pcs.   |
| 3    | Cap(Blue/Red)                      | A963054NU      | 1 Pcs.   | 23   | Valve                  | A962411NU      | 1 Pcs.   |
| 4    | Cap for sink                       | B960229XX      | 1 Pcs.   | 24   | CU-pipe                |                | 1 Pcs.   |
| 5    | O-Ring Ø40x1                       |                | 1 Pcs.   | 25   | 8x130/10x0.75/L285mm   |                | 1 Pcs.   |
| 6    | Screw M4x42                        |                | 3 Pcs.   |      | Solder pipe L147mm     |                | 2 Pcs.   |
| 7    | Cartridge Ø47mm                    | A960500NU      | 1 Pcs.   |      | Solder pipe L167mm     |                |          |
| 8    | Flow limiter for KOMBI,ND          |                | 1 Pcs.   | 26   | Flex hose G3/8         | A963600NU      | 1 Pcs.   |
| 9    | Oval-head screw M4x10              |                | 2 Pcs.   |      | M10x1/6x10/L445        |                |          |
| 10   | Adapter                            |                | 1 Pcs.   | 27   | Flex pexhose G3/8I/14- | B960474NU      | 1 Pcs.   |
| 11   | Flow liner M24x1,ND                | A960935XX      | 1 Pcs.   |      | M10x1A-Ø6.2-12x400     |                |          |
| 12   | Body kitchen                       |                | 1 Pcs.   | 28   | DWV coupler            | B960249NU      | 1 Pcs.   |
| 13   | Ring steering kitchen              |                | 1 Pcs.   | 29   | Bushing for kitchen    |                | 1 Pcs.   |
| 14   | Insert                             |                | 1 Pcs.   | 30   | O-Ring Ø44x2           | A961338NU      | 2 Pcs.   |
| 15   | Connecting set                     | B960232NU      | 1 Pcs.   | 31   | O-Ring Ø45x2           | A962412NU      | 4 Pcs.   |
| 16   | U plate support bracket fixing kit |                | 1 Pcs.   |      |                        |                |          |
| 17   | Manifold kitchen,ND                |                | 1 Pcs.   |      |                        |                |          |
| 18   | O-Ring Ø7x2                        | B960230NU      | 3 Pcs.   |      |                        |                |          |
| 19   | Gleitring 27.3-31.7-3              |                | 1 Pcs.   |      |                        |                |          |
| 20   | O-Ring Ø26.64x2.62                 |                | 2 Pcs.   |      |                        |                |          |