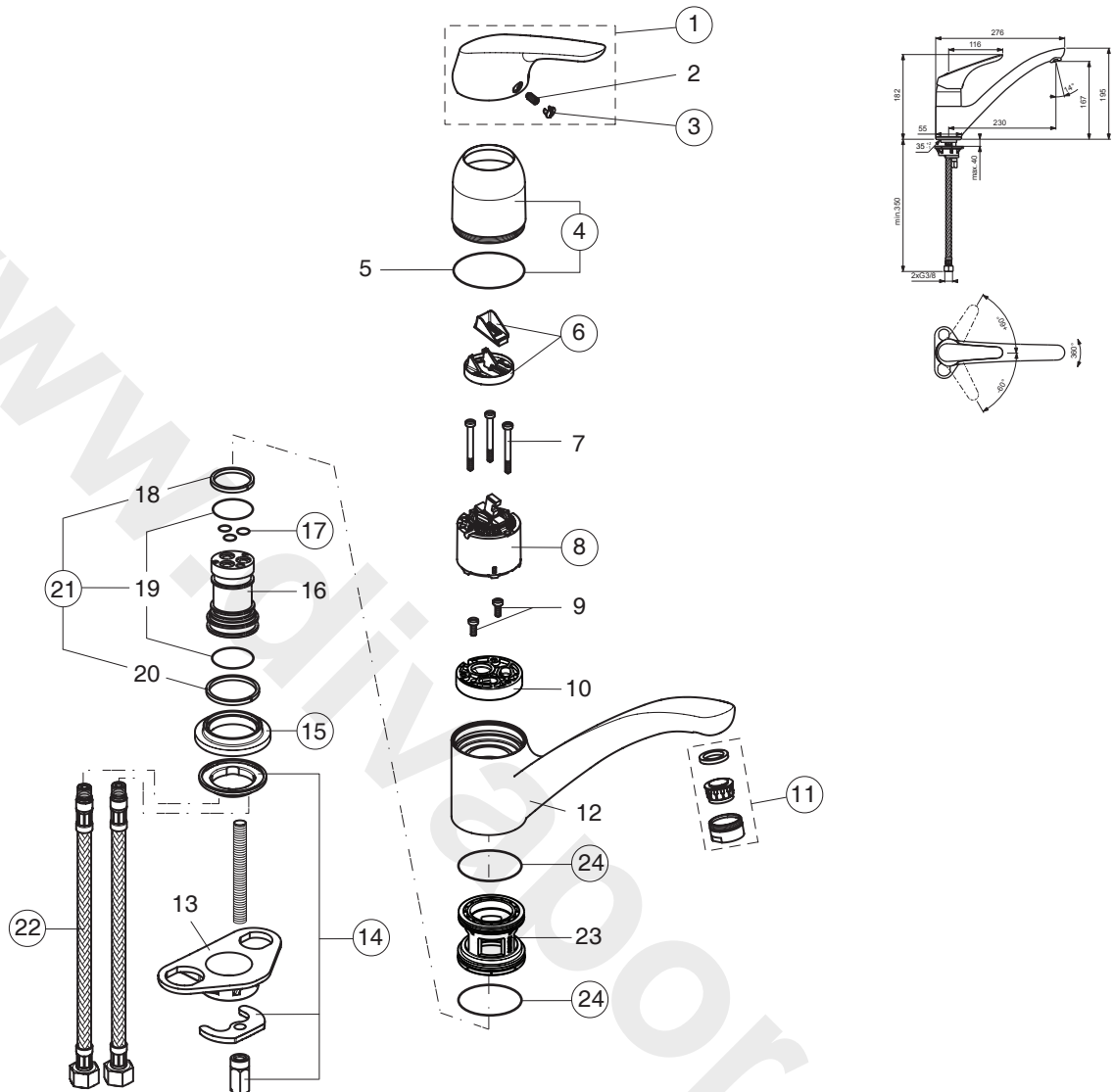


CERASPRINT NEW

B5344XX



For XX = Coverage - Designate:
AA=chrome, GN=ultra/steel

For Instance:
B 960738 AA for chrome

Pos.	Signify	Spare parts-Nr.	Quantity	Pos.	Signify	Spare parts-Nr.	Quantity
1	Lever,w/logo ISI	B960738XX	1 Pcs.	14	Connecting set	B960232NU	1 Pcs.
2	Screw M5x10		1 Pcs.	15	Brass rosette	B960407XX	1 Pcs.
3	Cap(Blue/Red)	A963054NU	1 Pcs.	16	Manifold M10x1		1 Pcs.
4	Cap for sink-compl.	B960229XX	1 Pcs.	17	O-Ring Ø7x2	B960230NU	3 Pcs.
5	O-Ring Ø40x1		1 Pcs.	18	Gleitring 27.3-31.7-3		1 Pcs.
6	Volume stop	A860700NU	1 Pcs.	19	O-Ring Ø26.64x2.62		2 Pcs.
7	Screw M4x41.7		3 Pcs.	20	Gleitring 34.6-38.9-3		1 Pcs.
8	Cartridge Ø47mm	A960500NU	1 Pcs.	21	Service kit spout	B960231NU	1 Pcs.
9	Oval-head screw M4x10		2 Pcs.	22	Flex pexhose G3/8I/14-M10x1A-Ø6.2-12x400	B960474NU	1 Pcs.
10	Adapter		1 Pcs.		Flexible hose G1/2 M10x1/6x10/L400	B960340NU	1 Pcs.
11	Casc.perlator M24x1-B	A960932XX	1 Pcs.		Bushing for kitchen		1 Pcs.
12	Body kitchen		1 Pcs.	23	Bushing for kitchen		1 Pcs.
13	U plate support bracket fixing kit		1 Pcs.	24	O-Ring Ø44x2	A961338NU	2 Pcs.