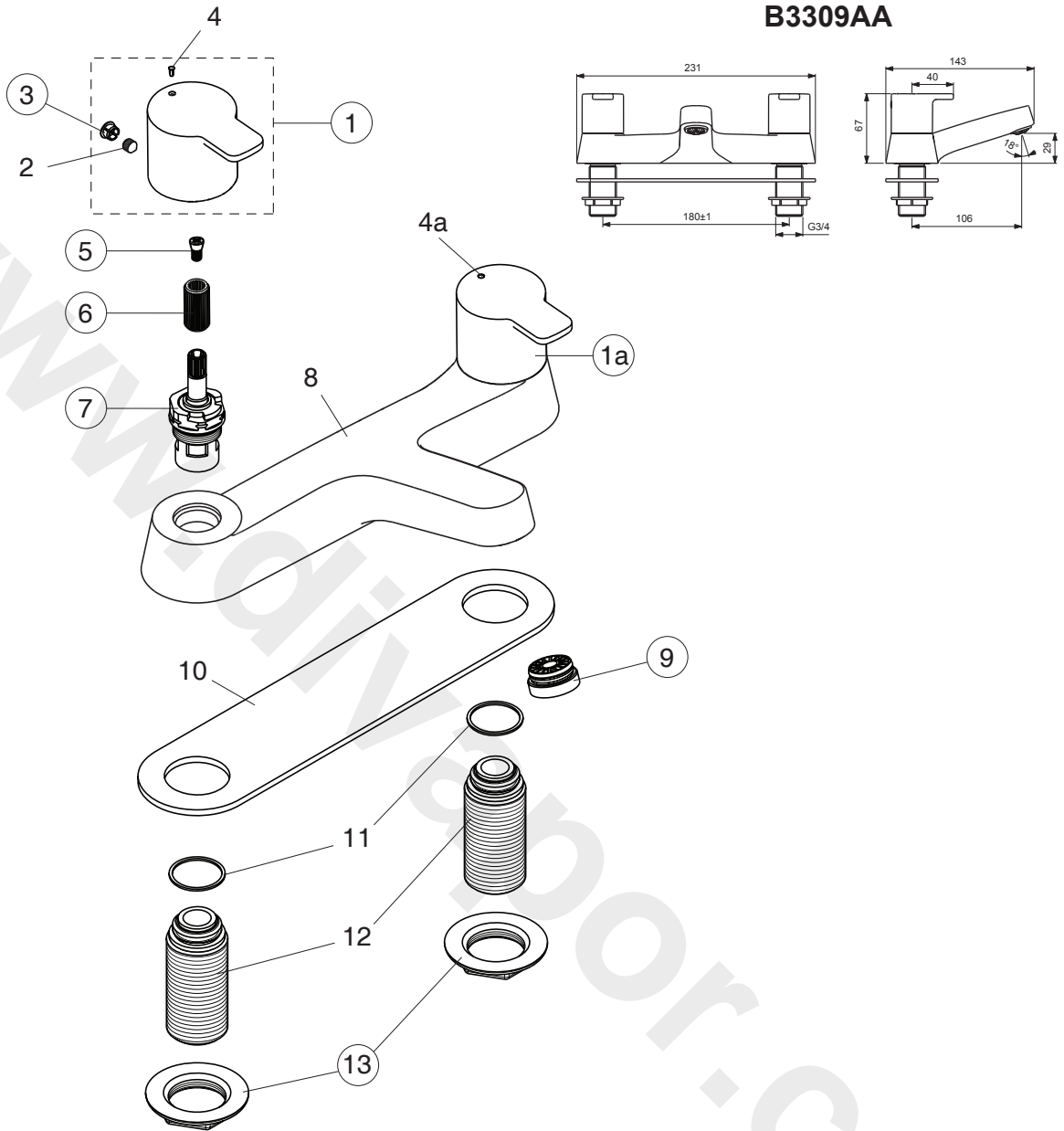


SANDRINGHAM 21

*Armitage
Shanks*

B3309AA



Pos.	Signify	Spare parts-Nr.	Quantity	Pos.	Signify	Spare parts-Nr.	Quantity
1	Handle,w/logo-red	B961412AA	1 Set	12	Connector G3/4xG1/2	E960111NU	2 Pcs.
1a	Handle,w/logo-blue	B961411AA	1 Set	13	3/4 brass backnut	E960111NU	1 Pcs.
2	Screw M5x6		2 Pcs.				
3	Block cap	A961157AA	1 Pcs.				
4	Indicator-red		2 Pcs.				
4a	Indicator-blue		2 Pcs.				
5	Screw M4	A961337NU	1 Pcs.				
6	Griff-insert	A963196NU	2 Pcs.				
7	Cartridge G1/2,c/w open	A963004NU	1 Pcs.				
	Cartridge G1/2,a-c/w open	A963003NU	1 Pcs.				
8	2H bath filler body DC		1 Pcs.				
9	Anti-splash streamline 3/4"	S9595NU	1 Pcs.				
10	Base gasket		1 Pcs.				
11	Sealing washer 3/4" tail		2 Pcs.				