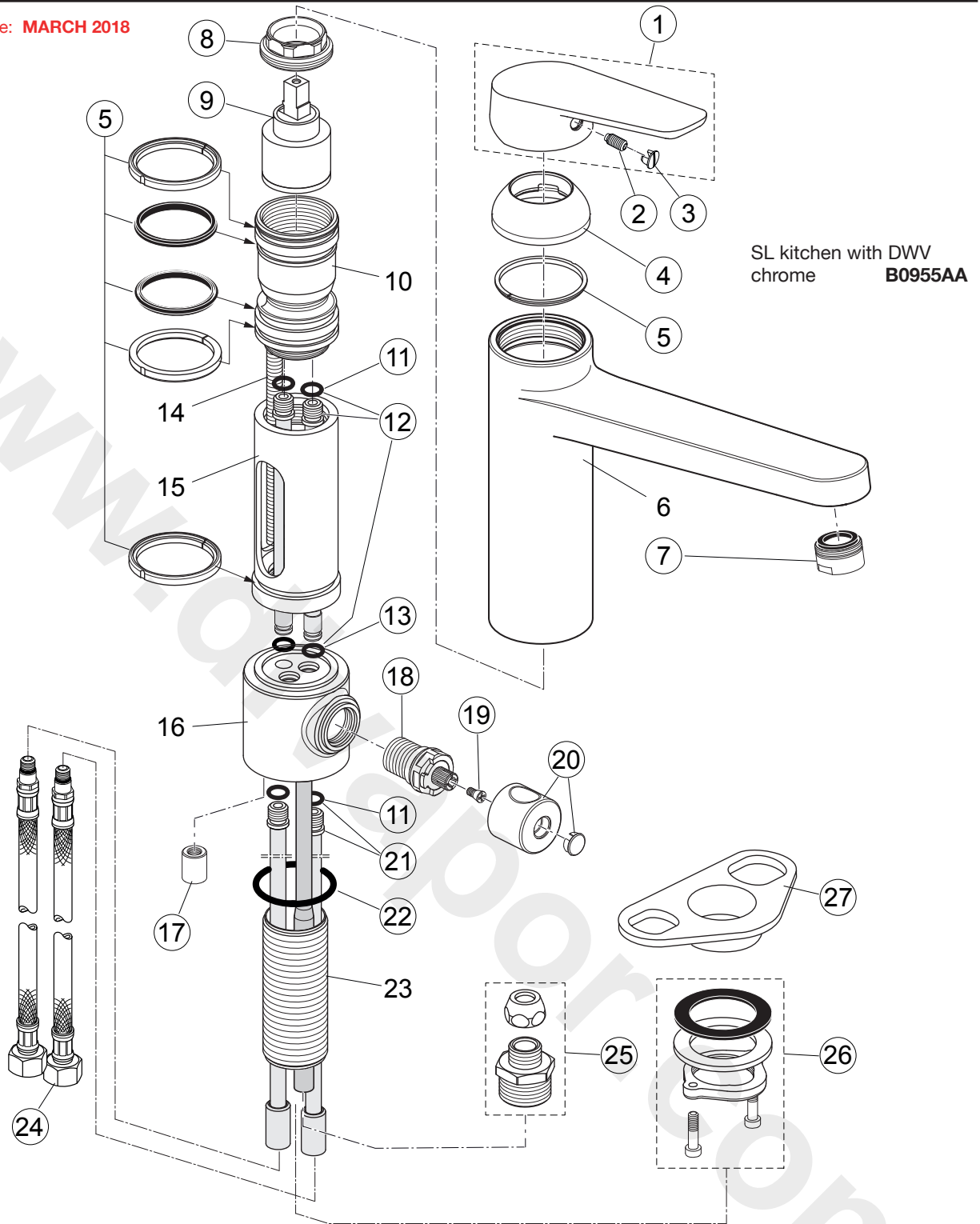


Produced since: **MARCH 2018**

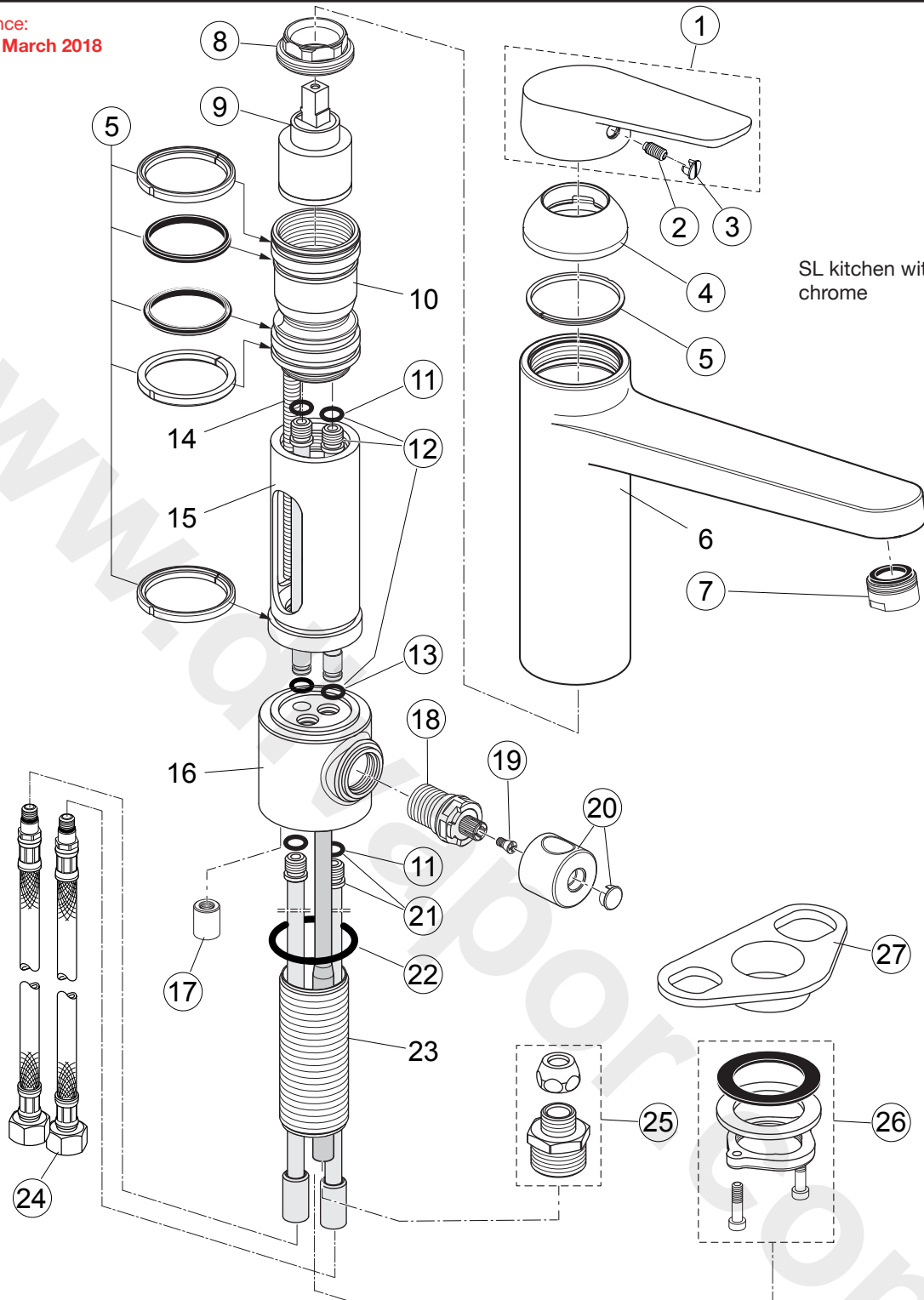


SL kitchen with DWV
chrome **B0955AA**

Pos.	Description	Part-Number	Qty.	Pos.	Description	Part-Number	Qty.
1	Lever cpl. with Logo ISI	A 860 978 AA	1 Set	15	Insert (plastic)		
2	Thread pin M5x10 DIN 915	A 963 309 NU	1 pcs	16	Body (Dish washer) w. Cu-pipe		
3	Cap for handle	B 960 473 AA	1 pcs	17	Fixationnut M8 SW8	A 860 988 NU	1 pcs
4	Cover	A 860 979 AA	1 pcs	18	Cartridge G1/2"	A 960 936 NU	1 pcs
5	Sealring-Set	A 860 980 NU	1 Set	19	Srew M4	A 961 337 NU	1 pcs
6	Body			20	Handle with cap	A 960 821 AA	1 Set
7	Aerator M24X1	B 964 729 AA	1 pcs	21	Cu-pipe M10 x 1 + Pos 11	A 860 982 NU	1 Set
8	Thread ring M37 x 1	A 860 981 NU	1 pcs	22	O - Ring Ø 37,77 x 2,62	A 962 574 NU	1 pcs
9	Cartridge 35mm	B 961 477 NU	1 pcs	23	Fixing tube M33 x 1,5		
10	Insert (brass)			24	Flex. hose G3/8 - M10x1	B 960 836 NU	1 pcs
11	O - Ring Ø 7,65 x 1,78	B 960 341 NU	2 pcs	25	DWV coupler	A 963 888 NU	1 Set
12	Cu-pipe M10 x 1 + Pos 11,13	A 860 987 NU	1 Set	26	Fixation-Kit	A 960 486 NU*	1 Set
13	O - Ring Ø 6,5 x 1,6	A 860 986 NU*	2 pcs	27	Fixationplate (for SST sink)	A 962 328 NU	1 pcs
14	Stud M8X120						

*Universal set (not all parts needed)

Produced since:
June 2015 - March 2018



Pos.	Description	Part-Number	Qty.	Pos.	Description	Part-Number	Qty.
1	Lever cpl. with Logo ISI	A 860 978 AA	1 Set	15	Insert (plastic)		
2	Thread pin M5x10 DIN 915	A 963 309 NU	1 pcs	16	Body (Dish washer) w. Cu-pipe		
3	Cap for handle	B 960 473 AA	1 pcs	17	Fixationnut M8 SW8	A 860 988 NU	1 pcs
4	Cover	A 860 979 AA	1 pcs	18	Cartridge G1/2"	A 960 936 NU	1 pcs
5	Sealring-Set	A 860 980 NU	1 Set	19	Srew M4	A 961 337 NU	1 pcs
6	Body			20	Handle with cap	A 960 821 AA	1 Set
7	Aerator M24X1	B 964 729 AA	1 pcs	21	Cu-pipe M10 x 1 + Pos 11	A 860 982 NU	1 Set
8	Thread ring M37 x 1	A 860 981 NU	1 pcs	22	O - Ring Ø 37,77 x 2,62	A 962 574 NU	1 pcs
9	Cartridge 35mm	A 960 567 NU	1 pcs	23	Fixing tube M33 x 1,5		
10	Insert (brass)			24	Flex. hose G3/8 - M10x1	B 960 836 NU	1 pcs
11	O - Ring Ø 7,65 x 1,78	B 960 341 NU	2 pcs	25	DWV coupler	A 963 888 NU	1 Set
12	Cu-pipe M10 x 1 + Pos 11,13	A 860 987 NU	1 Set	26	Fixation-Kit	A 960 486 NU*	1 Set
13	O - Ring Ø 6,5 x 1,6	A 860 986 NU*	2 pcs	27	Fixationplate (for SST sink)	A 962 328 NU	1 pcs
14	Stud M8X120						

*Universal set (not all parts needed)