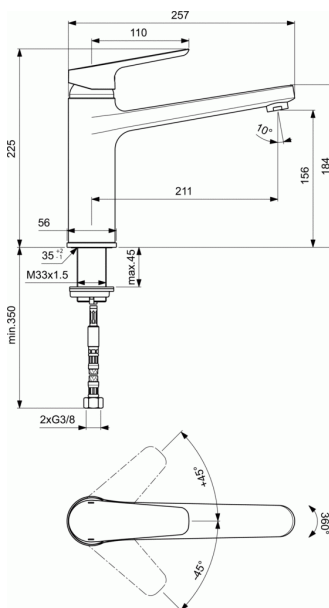


## CERAPLAN III Kitchen mixer, window solution



### Kitchen mixer, window solution

- High attached cast spout
- Pre-window version
- Easy-Fix fixation
- Fixation allows up to 45 mm thickness on the boards
- Fixation - socket for window solution
- Flexible hoses G3/8" for water supply system connection
- 35 mm ceramic cartridge
- Hot water limiter
- Turn able 360°
- Brass cast body with spout 210 mm projection
- Metal handle with red and blue indicator
- Aerator Perlator
- Noise class 1
- Comply with EN817, NF

### FINISHES\*



AA

\* AA = Chrome

### KEY FEATURES & BENEFITS

