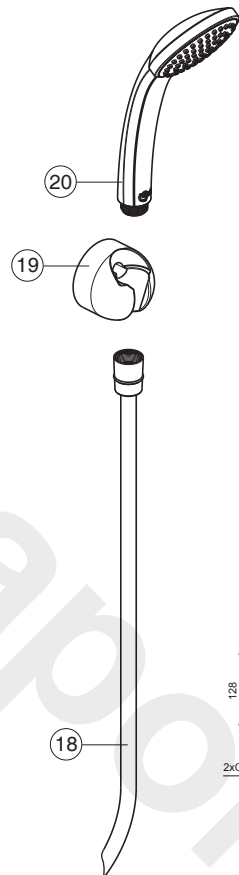
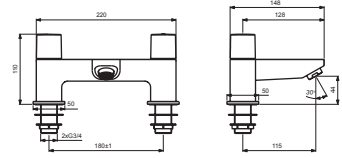
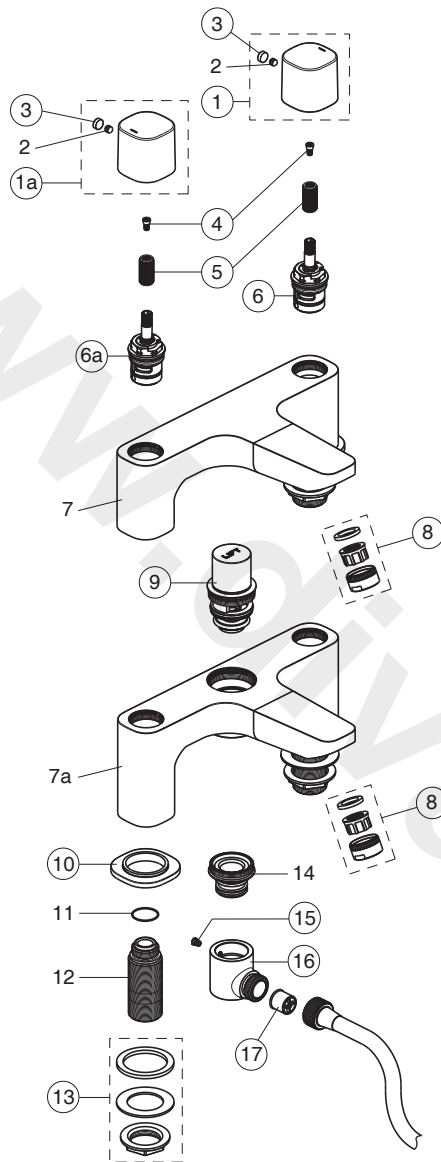
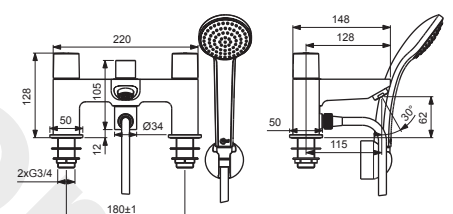
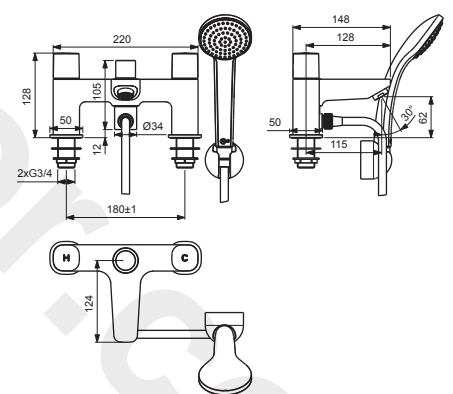


B0730AA



B0731AA



Pos.	Signify	Spare parts-Nr.	Quantity	Pos.	Signify	Spare parts-Nr.	Quantity
1	Handle(Blue)-set	B961168AA	1 Pcs.	12	Connector G3/4		2 Pcs.
1a	Handle(Red)-set	B961169AA	1 Pcs.	13	Connecting set	B960471NU	1 Set
2	Screw M5x6		2 Pcs.	14	Nipple M34x1.5		1 Pcs.
3	Rubber cap Ø8.1x3	B960583NU	1 Pcs.	15	Screw M5x5.5	A960058NU	1 Pcs.
4	Screw M4	A961337NU	1 Pcs.	16	Elbow for diverter	B961173AA	1 Pcs.
5	Griff-insert	A963196NU	2 Pcs.	17	Non return valve	A962594NU	2 Pcs.
6	Cartridge G1/2.a-c/w open	A963003NU	1 Pcs.	18	Shower hose L1800mm	A963173NU	1 Pcs.
6a	Cartridge G1/2.c/w open	A963004NU	1 Pcs.	19	Wall bracket fixed	B9467AA	1 Pcs.
7	Body bath/shower		1 Pcs.	20	Handspray IDEALRAIN, 1F,80mm,w/logo ISI	B9400AA	1 Pcs.
7a	Body bath/shower,w/diverter		1 Pcs.				
8	Nozzle	A961625AA	1 Pcs.				
9	Diverter	B961172AA	1 Pcs.				
10	Rosette decorative	B961171AA	1 Pcs.				
11	O-Ring Ø18.2x1.7		2 Pcs.				