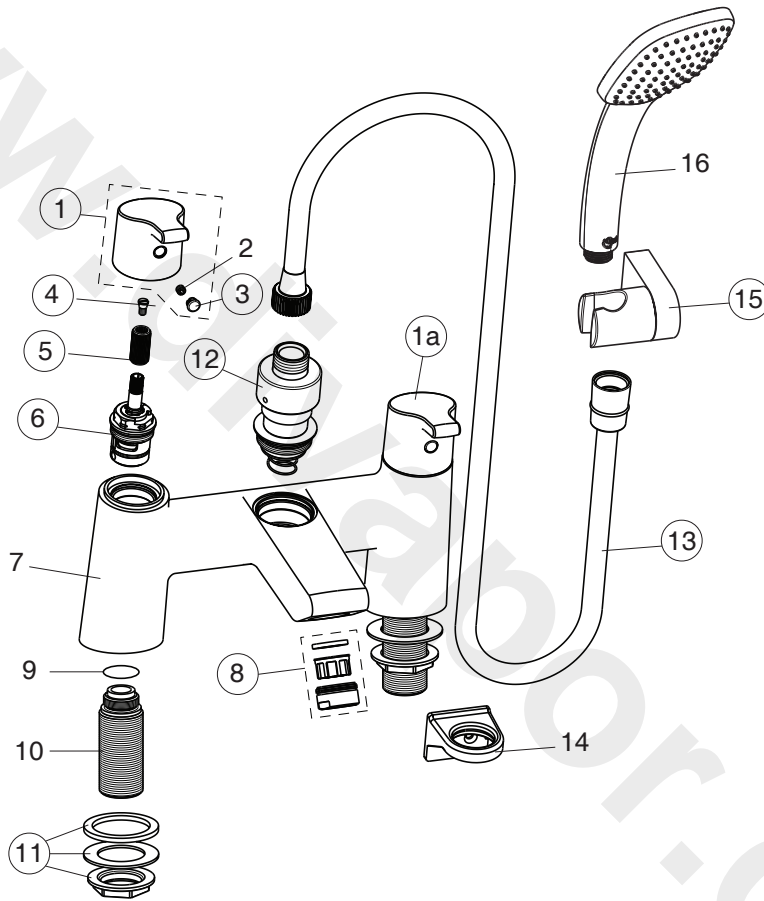
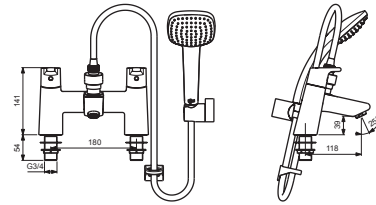


ACTIVE (B0248AA)



Pos.	Signify	Spare parts-Nr.	Quantity	Pos.	Signify	Spare parts-Nr.	Quantity
1	Lever,w/logo ISI-compl. (Red)	B960677AA	1 Pcs.	10	Connector G3/4		2 Pcs.
1a	Lever,w/logo ISI-compl. (Blue)	B960676AA	1 Pcs.	11	Connecting set	B960471NU	1 Set
2	Screw M5x6		1 Pcs.	12	Diverter	B960308AA	1 Pcs.
3	Button	A961157AA	1 Pcs.	13	Hose flexible L1350	E4745AA	1 Pcs.
4	Screw M4	A961337NU	1 Pcs.	14	Shower hose bracket		1 Pcs.
5	Griff-insert	A963196NU	1 Pcs.	15	Wall bracket	B960925AA	1 Pcs.
6	Side valve cartridge	A961010NU	1 Pcs.	16	Handspray,1F,100mm		1 Pcs.
6a	3/4 cartridge for 3H side valve low frict	A960462NU	1 Pcs.				
7	Body bath/shower filler		1 Pcs.				
8	Nozzle	A961625AA	1 Pcs.				
9	O-Ring Ø18.2x1.7		2 Pcs.				