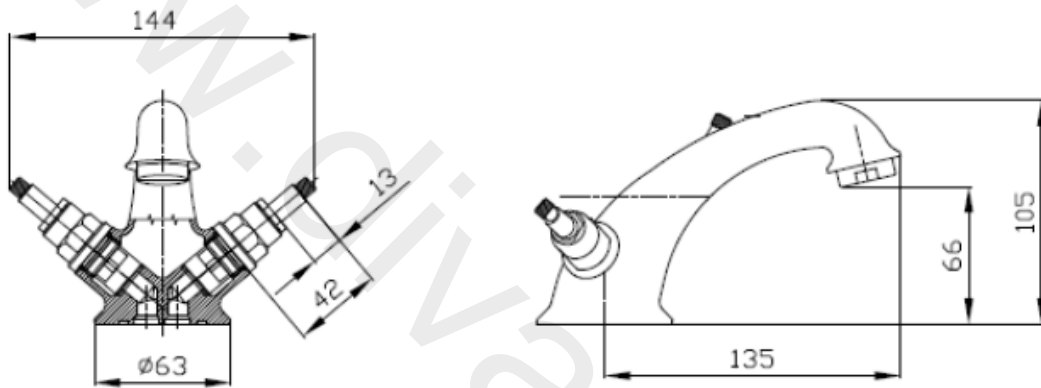
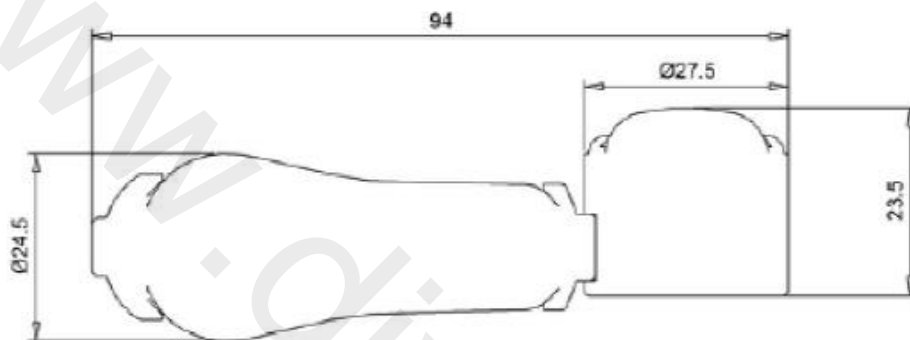




**bath
store**

**BENSHAM LUXURY MONO BASIN
MIXER CHROME LEVER KIT**





Note:

For the each part, the dimension tolerance should be followed the list below.

0 - 100	101 - 200	201 - 400	>401
± 1	± 2	± 3	± 5

For the finished assembly, the dimension tolerance should be followed the list below.

0 - 300	>301
± 2	± 5