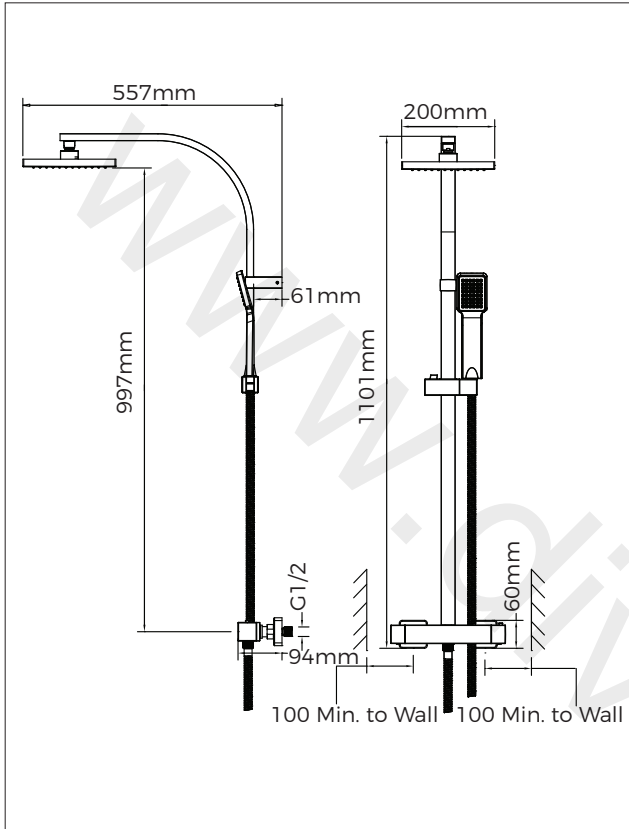


Aero Exposed Multifunction Thermostatic Shower System

576399/576401



Dimensions:

Width: 557mm (±15mm)
Depth: 200mm (±5mm)
Height: 997mm (±20mm)

Important

General information

The thermostatic bar valve is a thermostatic shower control designed for wall mounted installations. The thermostatic bar valve has two handles, one handle controls the flow rate and flow direction and the other handle controls the temperature. This product also includes a deluge head, a rigid riser, a single-mode handset and shower fittings kit. The thermostatic bar valve incorporates a wax capsule temperature sensing unit, which provides an almost immediate response to changes in pressures or temperature of the incoming water supplies, to maintain the selected temperature. An adjustable maximum temperature stop is provided which limits the temperature to a safe level. Inlet filters are fitted to protect the thermostatic cartridge.

Minimum and maximum working pressures

- Max. static pressure: 10 Bars
- Max. maintained pressure: 5 Bars
- Min. maintained pressure: 1 Bar

Note

Hot and cold supply pressures should be balanced. For supply pressures over 5 bar, a pressure reducing valve (not supplied) must be fitted.

Temperatures

- Optimum thermostatic control range: 38°C to 46°C (achieve °C with supplies of 15°C cold and 65°C hot water at nominally equal pressures).
- Hot water range: 60°C to 65°C
- Cold water range: 5°C to 25°C

Thermostatic shut-down

For safety, the valve will shut off within 5 seconds if cold supply fails.

Warning

The function of a thermostatic mixing valve is to deliver water consistently at a safe temperature. In keeping with every other mechanism, it can't be considered as functionally infallible and as such, can't totally replace a supervisor's vigilance, where that is necessary. Bathstore thermostatic mixers are precision engineered and should give continued safe and controlled performance, provided:

1. They are installed, commissioned, operated and maintained in accordance with the manufacturer's recommendations.
2. Periodic attention is given, when necessary, to maintain the product in good functional order.

Caution

1. Read all of these instructions before installation.
2. Retain this manual for future use.
3. Pass on this manual in the event of change of ownership of the installation site.
4. Follow all warnings, cautions and instructions contained in this manual.
5. Anyone who may have difficulty understanding or operating the controls of any shower should be assisted whilst showering. Particular consideration should be given to the young, the elderly, the infirm or anyone inexperienced in the correct operation of the controls.
6. Rapid or excessive movement of the flow and/or temperature control handles may result in a momentary unstable blend of temperatures.

7. Care is required when adjusting flow or temperature. Make sure that the temperature has stabilised before showering.
8. When this product has reached the end of its serviceable life, it should be disposed of in a safe manner, in accordance with current local authority recycling, or waste disposal policies.

Important information

If you have an issue or require assistance with this product, then please locate and make a note of the production information located on the product, as shown. Quote these details when speaking to a Bathstore representative.

This is an example of the label for reference only. Please refer to the product for information.

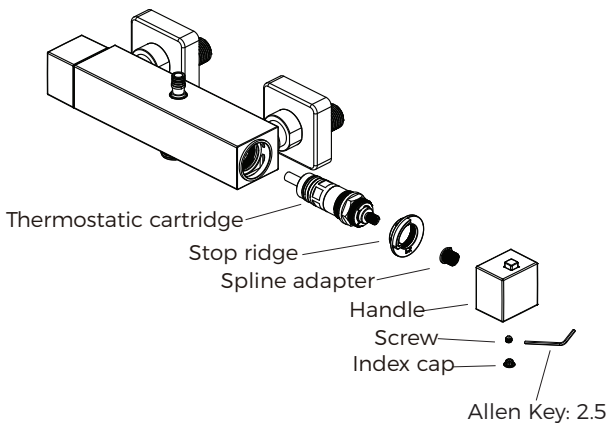


Cartridge maintenance

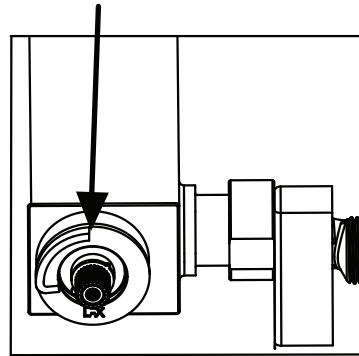
Limescale and debris can build up in the thermostatic cartridge over time. This can affect the flow rate, temperature control and can lead to leaks from the shower head. We recommend that the cartridge is removed and cleaned in a 50/50 mix of water and vinegar every 12 months, to prevent these issues. Take care not to allow the cartridge to soak in this solution for longer than an hour, as the acid can affect rubber seals adversely.

To clean, take out the index and remove the screw using an Allen key (not supplied). Then remove the handle, spline adapter, stop ridge and thermostatic cartridge.

Once you've thoroughly cleaned, assemble the cartridge, spline adapter, stop ridge, handle, screw and index cap back into the valve body.



The Stop Ridge



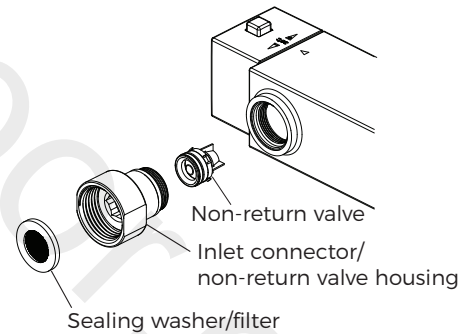
Note: Make sure the 'Stop ridge' remains vertical during the 'Stop ridge' installation, then tighten the screw on the 'Handle'.

Maintaining the non-return valves

The non-return valves are located in the thermostatic bar valve body and are accessible through the inlet connectors.

Caution! Make sure that the non-return valves are installed correctly to prevent crossflow or malfunction of the valve.

1. With the water supplies turned off and the thermostatic bar valve (1) removed, remove the sealing washer/filter.
2. Unscrew the non-return valve housing using a 30mm spanner. **Note:** The non-return valve housing has a left hand thread, turn it clockwise to unscrew.
3. Carefully remove the non-return valve and clean any debris.
4. On re-assembly, make sure that the non-return valve is fitted the correct way round.



Maintenance

The finish plated parts should be cleaned using a mild washing up detergent or soap solution, rinsed and then wiped dry with a soft cloth.

Warning

Many household cleaners contain abrasive and chemical substances and should not be used for cleaning plated or plastic fittings. Do not use descalents on this product.

Filters

The sealing washers/filters are located in the inlet connector. Clean or renew as necessary.

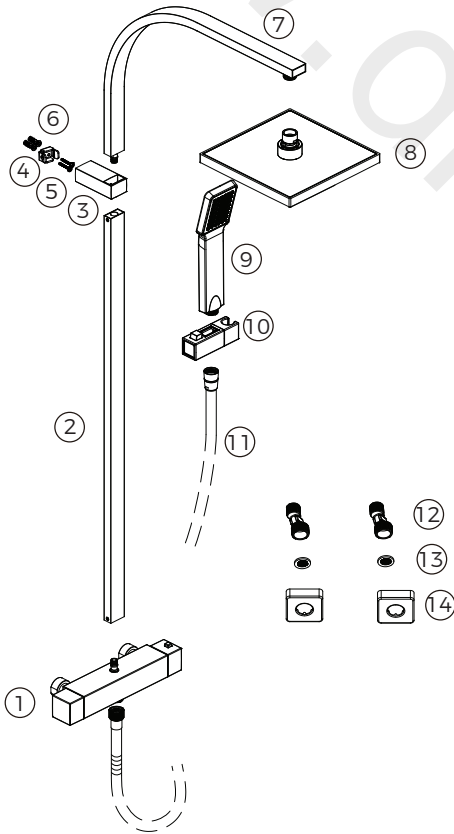
Lubricants

Silicone based lubricants must only be used on the rubber seals.

Caution! Oil based or other lubricant types may cause rapid deterioration of seals.

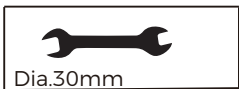
Parts list

No.	Description	Qty
1	Thermostatic bar valve	1
2	Rigid riser (inc. 2 x M5*0.8 Grub screws)	1
3	Securing bracket	1
4	Securing bracket cover (inc. 3 x M5*0.8 Grub screws)	1
5	Fixing screws	2
6	Wall plugs	2
7	Overhead pipe	1
8	Deluge head & seal	1
9	Shower head	1
10	Shower head holder	1
11	Shower hose	1
12	Offset connectors	2
13	Washers/Filters	2
14	Concealing plates	2

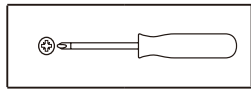


Tools needed (not included)

Spanner



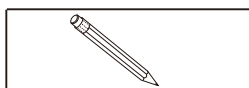
Cross-headed screwdriver



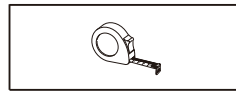
Electric drill



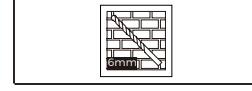
Pencil



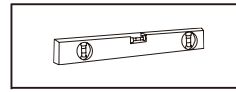
Tape measure



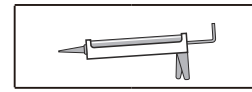
Drill bit



Level



Silicone sealant



Installation

Gas heated system

The thermostatic mixer can be installed with one of the following combination boilers:

- Unvented mains pressure system with a stored hot water system
- Mains pressurised instantaneous hot water system with balanced water pressures

Pumped system

The thermostatic mixer can be installed with a inlet pump (twin impeller). The pump must be installed on the floor next to the hot cylinder.

General

Installation must be carried out in accordance with these instructions and must be conducted by designated, qualified and competent personnel. The installation must comply with the "Water Supply Regulation 1999, (Water Fittings)" or any particular regulations and practices, specified by local water companies or water undertakers.

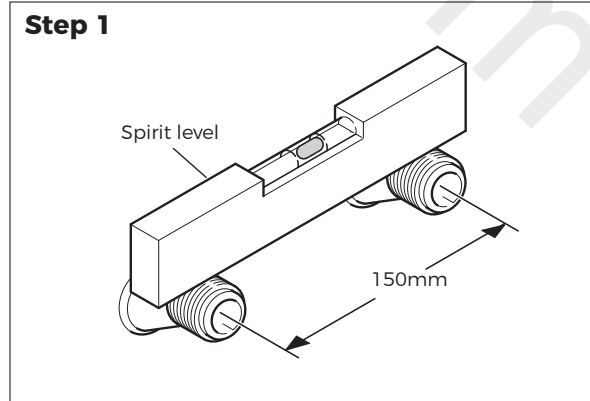
Note: Make sure all site requirements correspond to the information given in the 'Important information' section on page 1.

1. The mixer must not be installed in an area where it may freeze.
2. For stud partitions, alternative fixings may be required.
3. Isolation valves must be installed close to the mixer for ease of maintenance.
4. Pipework must be rigidly supported and avoid any strain on the connections.
5. Pipework dead-legs should be kept to a minimum.
6. All pipework must be checked for leaks before the product installation is completed. The product should be pressurised and the inlet and outlet connections should be inspected.
7. Do not overtighten the grub screws as product damage may occur. Use the Allen key provided and hand tighten only. Do not use power tools.

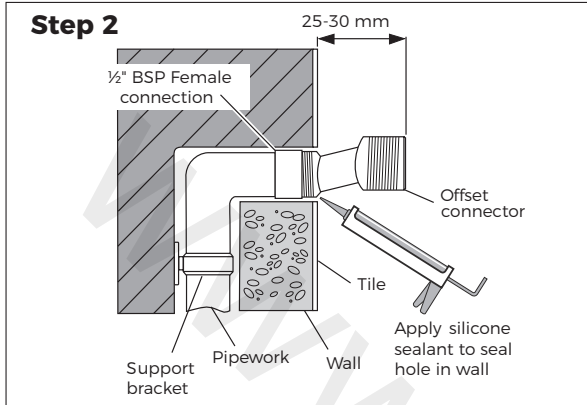
Thermostatic bar valve installation

For the solid wall installation, the thermostatic bar valve can be supported by the pipework, provided it is securely fixed to the wall. For other wall types, some support fittings (not supplied) should be used to help installation.

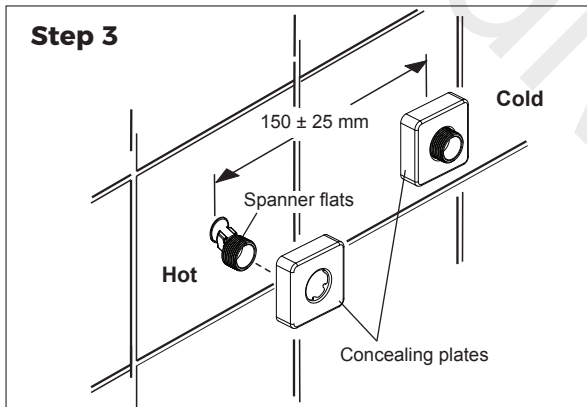
Arrange the pipework, make sure that it is set at the correct distance apart (150±25mm) and solidly fixed.



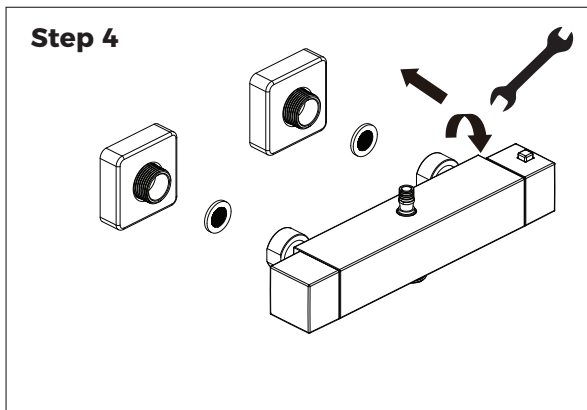
Apply suitable thread sealant (not supplied) and attach the offset connectors to the pipework in the wall. The offset connectors (12) must protrude between 25-30mm from the finished wall. **Note:** Connections are hot to the left and cold to the right. This is very important as this product does not allow for the reverse.



Tighten the offset connectors (12) using a spanner on the spanner flats. Make sure the connectors are level and set at the correct distance apart, using the bar valve as a guide for spacing. Place the concealing plates (14) onto the offset connectors (12) until they come into contact with the wall.

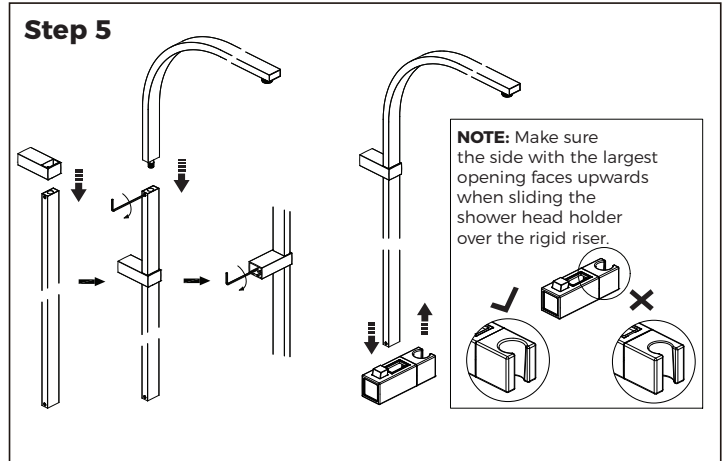


Caution! Make sure that the supply pipework is flushed before installing the bar valve. Assemble the bar valve with sealing washers/filters (13) in each inlet and attach offset connectors. Tighten the connections using a spanner. Install the rigid riser, follow 'Rigid riser installation'.



Rigid riser installation

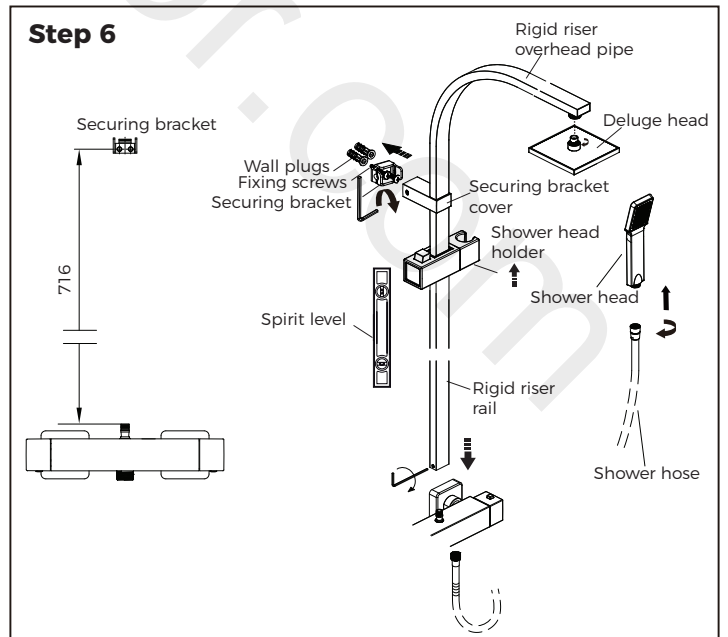
Slide the securing bracket (3) over the rigid riser (2). Holding the securing bracket cover (4), insert the rigid riser overhead pipe (7) into the rigid riser (2) and then tighten the grub screw. Slide the securing bracket (3) to a suitable position and then secure it by tightening the grub screw. Press the button to slide the shower head holder (10) over the rigid riser (2), then release the button to secure the holder in a suitable position.



Insert the rigid riser rail into the valve (1) outlet and the securing bracket cover (4) into the securing bracket (3), make sure that they are pushed in fully. Then screw the grub screws to secure.

Important! Using a spirit level make sure that the rigid riser rail is vertical and mark the position of the fixing holes for the securing bracket on the wall. **Caution!** Do not cut the rigid riser rail.

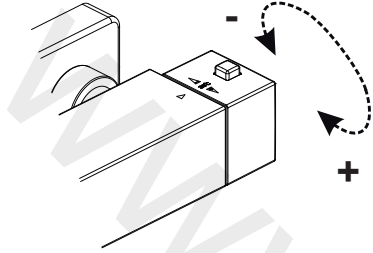
For solid walls, drill the fixing holes for the securing bracket with a 6mm drill and insert the supplied wall plugs. For other types of wall structure alternative fixings may be required (not supplied). Secure the securing bracket to the wall using the supplied fixing screws. Install the deluge head (8), shower head (9) and shower hose (11).



Operation

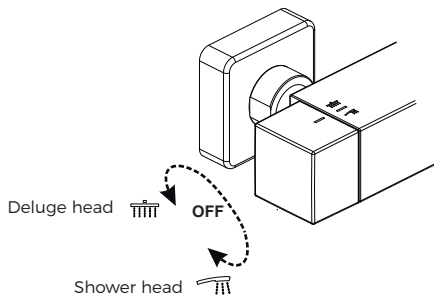
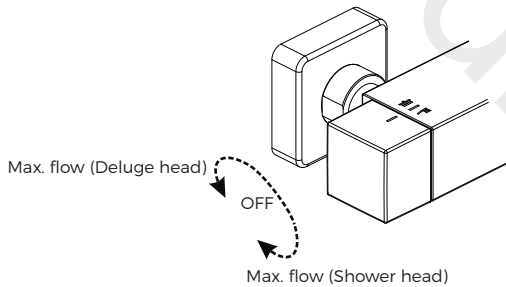
Adjusting the temperature

The temperature is controlled by rotating the temperature handle. For safety reasons, the temperature is limited by an override function. To obtain a higher temperature, press the override button on the temperature handle and continue to rotate.



Adjusting the flow rate/flow direction

Both the flow rate and flow direction are controlled by rotating the flow handle.



Fault diagnosis

Symptom:

- Only hot or cold water is flowing from the mixer outlet.
- Outlet temperature too hot/too cold.

Cause/rectification:

- Inlets reversed (hot supply to cold supply).
Rework inlet pipework.
- No hot or cold water reaching the mixer.
- Check the filters for any blockage.
- Installation conditions outside operating parameters, refer to 'Important information' section on page 1.

Symptom:

- Fluctuating or reduced flow rate.

Cause/rectification:

- Check the shower head, hose and filters for any blockages.
- Make sure that the maintained inlet pressures are nominally balanced and sufficient, refer to 'Important information' section on page 1.
- Make sure the range of water temperature (15°C cold and 65°C hot) water supply is sufficient.
- Flow regulator fitted incorrectly.
- Air lock or partial blockage in the pipework.

Symptom:

- Water leaking from shower head.

Cause/rectification:

- Normal for a short period after shut off.
- Check that the pressures are not in excess of the specifications for the product.
- Cartridge inlet seals damaged, renew.
- Renew the thermostatic cartridge.
- Clean the thermostatic cartridge by following the instructions on Page 2. If this is unsuccessful replace the cartridge.

Warranty

This product is covered by a 10-year warranty.

The warranty covers any manufacturing defect in materials, workmanship, and finish.

Any claim under this warranty must be made by going to your nearest Bathstore, taking your proof of purchase with you. Claims must be made within 10 years of the date of purchase.

We will offer you a free repair of the item where this is possible, or a replacement or a refund. Your statutory rights remain unaffected, in particular, any rights you may have under the Consumer Rights Act 2015.

This warranty is given by HHGL Limited, MK9 1BA, HHGL (ROI) Limited, D02 X576.

Please note: This warranty does not apply to products misused or neglected, and only covers domestic use. It does not apply to commercial use of the product.

Please note: Due to hygiene reasons, taps cannot be returned unless faulty. Please contact your local store for technical advice or information on how to progress claims under the warranty. This does not affect your statutory rights.