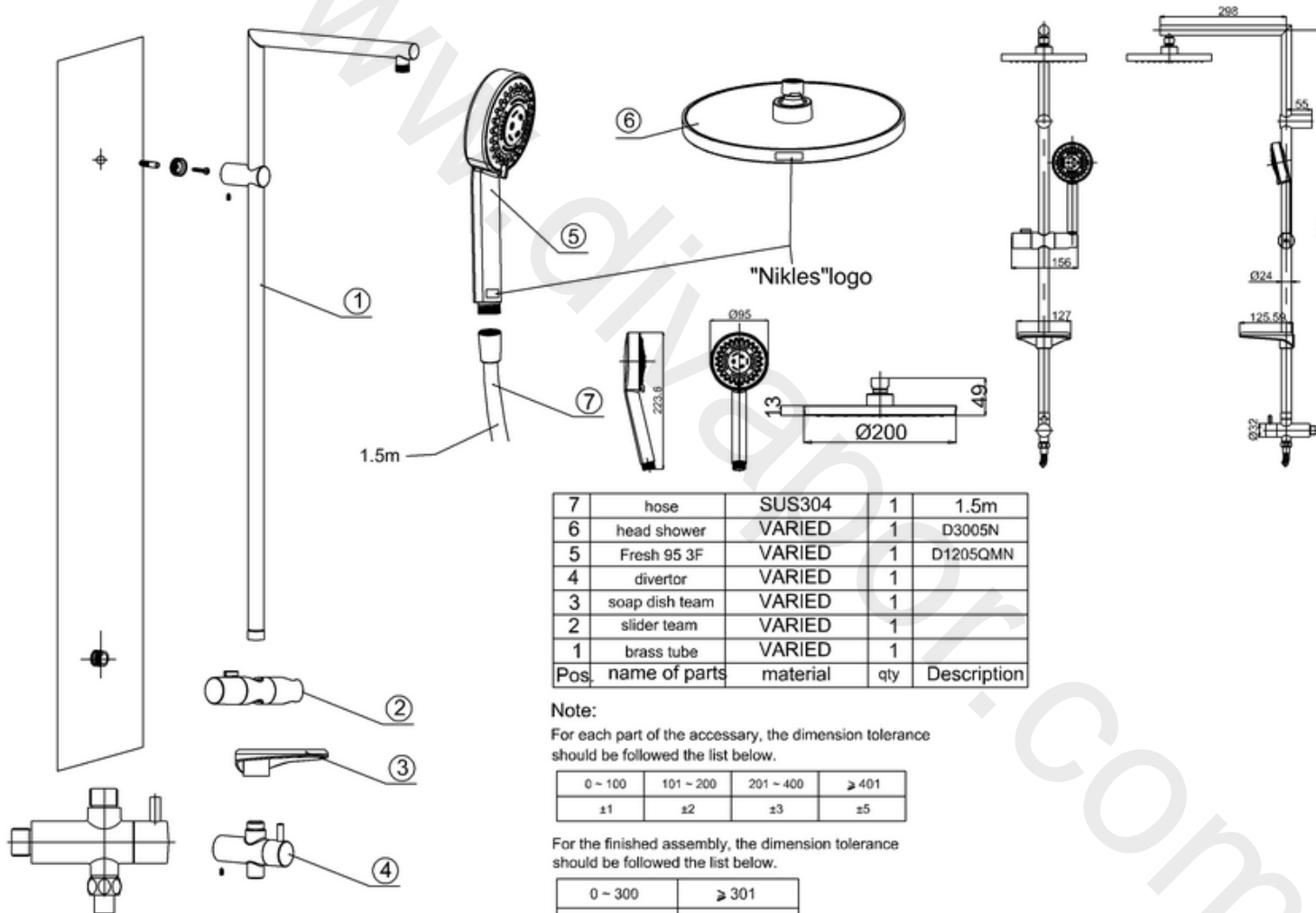




**bathstore**

## 20004005640 - FRESH SHOWER SYSTEM MULTI FUNCTION 200 HEAD & 95 HANDSET



Pos.	name of parts	material	qty	Description
7	hose	SUS304	1	1.5m
6	head shower	VARIED	1	D3005N
5	Fresh 95 3F	VARIED	1	D1205QMN
4	divertor	VARIED	1	
3	soap dish team	VARIED	1	
2	slider team	VARIED	1	
1	brass tube	VARIED	1	

### Note:

For each part of the accessory, the dimension tolerance should be followed the list below.

0 - 100	101 - 200	201 - 400	≥ 401
±1	±2	±3	±5

For the finished assembly, the dimension tolerance should be followed the list below.

0 - 300	≥ 301
±2	±5