

## NOIR

### Bath shower mixer with handset matt black

20004010460



#### CARE AND MAINTENANCE:

To maintain the appearance of this product, ensure that it is regularly cleaned only using a clean, soft damp cloth. A solution of warm water and a mild detergent may be used where necessary, and then the fitting rinsed thoroughly and wiped dry. Any other cleaning action will invalidate your warranty.

If the mixer tap has a diffuser it should be unscrewed and cleaned periodically in warm water. Abrasive cleaners, scouring cleaners and acidic cleaners must not be used under any circumstances. Avoid contact with all solvents (including chlorinated solvents, ketones or acetones as these may result in surface deterioration or etching). Also avoid contact with any harsh household chemicals such as oven cleaners, drain cleaners, rust removers, paint strippers and toilet bowl cleaners, bar keepers friend, brasso or similar products. Isolate the water to the tap before performing any form of internal maintenance

#### CLEANING THE CARTRIDGES

The concealed cartridge should give trouble free service, but in the event of any problems, servicing is straight forward.

#### TO REMOVE THE CARTRIDGES

Pull off the cover cap and with an Allen key loosen the screw, but do not remove it. Pull off the handle and unscrew the cover. Using the correct size spanner unscrew and remove the retaining nut. Pull out the cartridges taking note of it's orientation. Wash the cartridge with clean running water and make sure that any trapped debris has been removed. Dry and lightly grease the seal (only use silicone grease) and replace the cartridge followed by the nut, cover and handle.

#### INSTALLATION GUIDELINES

1. Installation should be carried out by a competent engineer, in accordance with water regulations.
2. Before installation, ensure supply pipes are flushed clean. Debris or loose particles will affect the efficiency of the ceramic disc cartridge. Failure to flush through pipe work before installation of taps may cause serious damage to the ceramic disc cartridge, for which Bathstore will not be liable.
3. For mixer taps, it is recommended that hot & cold pressures are equally balanced.
4. Ceramic cartridge in hard water areas. To prolong the lifespan and reduce servicing periods we recommend that a suitable water softener be fitted. Consult your installer/designer for details.

First shut off your water heating system then, with your mains stop cock closed, open the lowest hot and cold taps in the house and allow to run until the cold storage tank and pipes are empty (the hot water storage cylinder always remains full).

Fitting isolating valves to the inlet feeds is recommended for ease of maintenance.

Insert the threaded legs into the holes on the bath top making sure that the rubber washers are correctly positioned into the grooves in the underside of the tap body.

From beneath, slide on the plastic washers followed by the nuts.

Connect the water supply to the tap with the hot water on the left and cold on the right (when viewed from the front)

Check that the tap is correctly positioned to the rear and tighten the fixing nuts.

The tap needs to be fixed firmly but do not over tighten as damage may be caused to the bath.

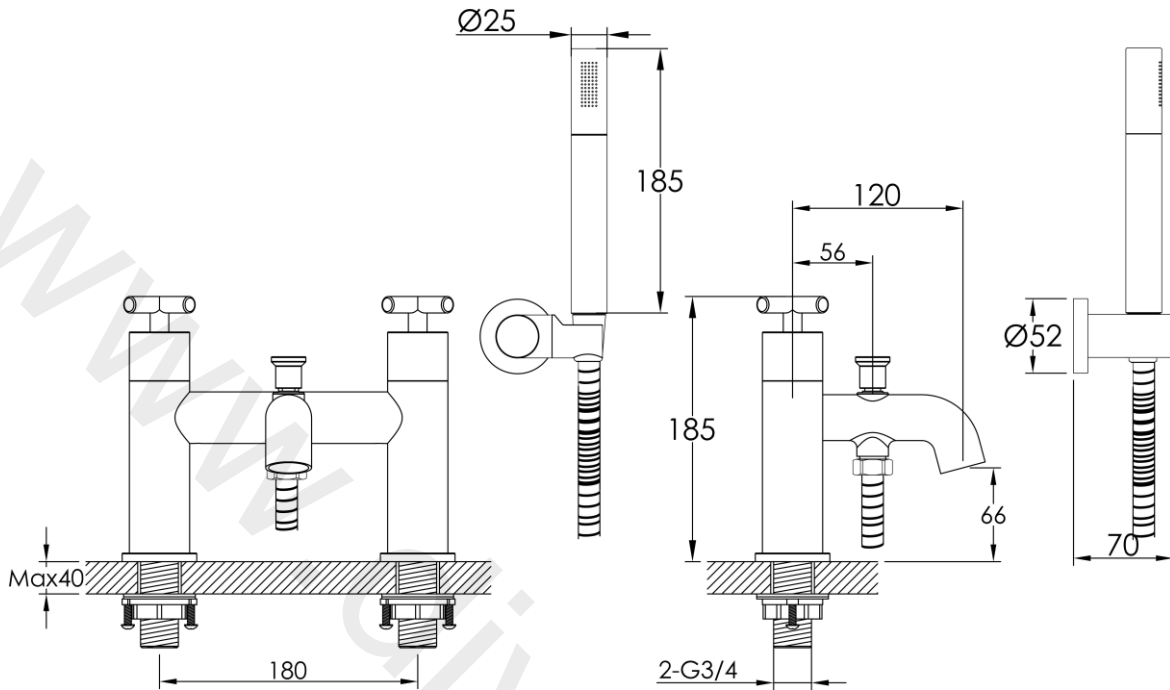
#### ATTENTION

Having first checked all new connections, turn on the mains stop cock, close all taps except the new mixer and as the system starts to refill check for leaks.

Once you have satisfied yourself that there are no leaks, switch on the water heating.

#### DIMENSIONS

Height of the body	185mm
Reach of the spout	120mm

**DIMENSIONAL DRAWING**

**FLOW RATE & OPERATING  
 CONDITIONS**

Recommended water pressure 1 - 3 bar  
 Optimum water pressure 3 bar

0.5 bar	9.5 L/Min
1 bar	11.5 L/Min
2 bar	16.5 L/Min
3 bar	19.5 L/Min