

FORGE

stainless steel wall mounted basin mixer

20004010650



CARE AND MAINTENANCE:

To maintain the appearance of this product, ensure that it is regularly cleaned only using a clean, soft damp cloth. A solution of warm water and a mild detergent may be used where necessary, and then the fitting rinsed thoroughly and wiped dry. Any other cleaning action will invalidate your warranty.

If the mixer tap has a diffuser it should be unscrewed and cleaned periodically in warm water. Abrasive cleaners, scouring cleaners and acidic cleaners must not be used under any circumstances. Avoid contact with all solvents (including chlorinated solvents, ketones or acetones as these may result in surface deterioration or etching). Also avoid contact with any harsh household chemicals such as oven cleaners, drain cleaners, rust removers, paint strippers and toilet bowl cleaners, bar keepers friend, brasso or similar products.

Isolate the water to the tap before performing any form of internal Maintenance.

CLEANING THE CARTRIDGE

The concealed cartridge should give trouble free service, but in the event of any problems, servicing is straight forward.

To remove the cartridge.

Pull off the cover cap and with an hexagonal key loosen the screw, but do not remove it. Pull off the handle and unscrew the cover. Using the correct size spanner unscrew and remove the retaining nut. Pull out the cartridge taking note of its orientation. Wash the cartridge with clean running water and make sure that any trapped debris has been removed. Dry and lightly grease the seal (only use silicone grease) and replace the cartridge followed by the nut, cover and handle.

INSTALLATION GUIDELINES

1. Installation should be carried out by a competent engineer, in accordance with water regulations.
2. Before installation, ensure supply pipes are flushed clean. Debris or loose particles will affect the efficiency of the ceramic disc cartridge. Failure to flush through pipe work before installation of taps may cause serious damage to the ceramic disc cartridge and can cause the tap to drip for which bathstore will not be liable.
3. For mixer taps, it is recommended that hot & cold pressures are equally balanced.
4. Single lever cartridge in hard water areas. To prolong the life and reduce servicing periods we recommend that a suitable water softener be fitted.

First shut off your water heating system then, with your mains stop cock closed, open the lowest hot and cold taps in the house and allow to run until the cold storage tank and pipes are empty (the hot water storage cylinder always remains full).

Fitting isolating valves to the inlet feeds is recommended for ease of maintenance.

Remember to turn off the mains water supply before connecting to any existing pipe work.

The manual valve is set with the lever handle facing downwards in the off position, the cold inlet on the right and the hot inlet on the left.

The valve concealing cavity is a depth of 40 - 50mm. For water inlet pipes, leave a minimum of 10mm exposed

As this product can be installed in any direction, i.e. spout on the right or left or above or below the manual single valve, fittings are not included.

Gently unscrew the operating lever on the handle, with an allen key, loosen the screw and remove the handle.

Including sealing washers, fit flexible pipes to the valve body, fix to inlet pipes already pre-installed. There are 2 screw lugs in the body for extra support if required, Use appropriate screws.

With a flexi pipe connect to the top outlet in the desired positioning of spout and connect to spout.

Place cover flanges on the valve body and spout, place handle on the valve body and tighten with allen key, screw the lever back into position.

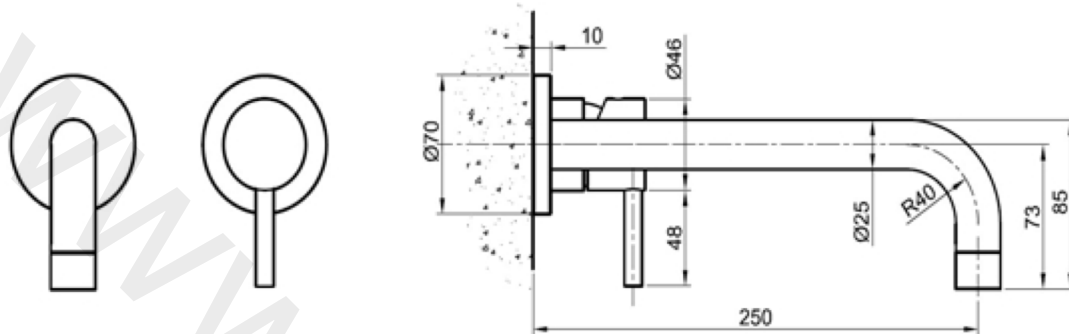
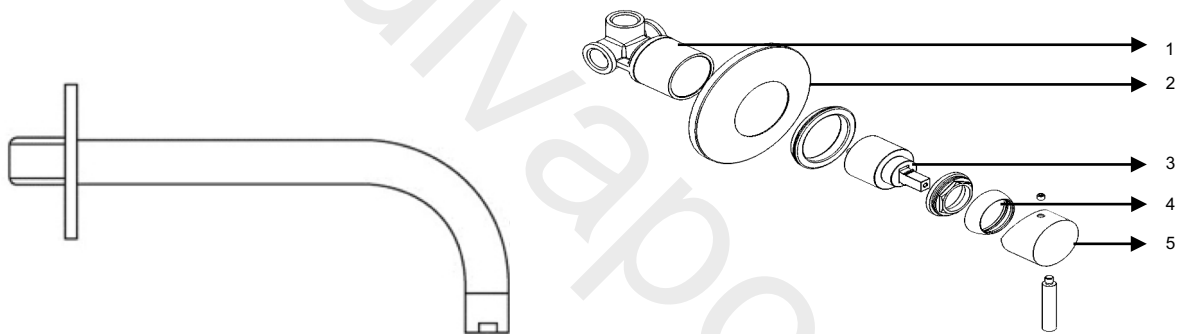
ATTENTION

Having first checked all new connections, turn on the mains stop cock, close all taps except the new mixer and as the system starts to refill check for leaks.

Once you have satisfied yourself that there are no leaks, switch on the water heating.

DIMENSIONS:

Height of the body	115mm
Reach of the spout	250mm

DIMENSIONAL DRAWING

EXPLODED PARTS LIST - DRAWING


Please refer to part numbers when contacting bathstore.

FLOW RATE & OPERATING CONDITIONS

Recommended water pressure 1 – 5 bar
 Optimum water pressure 3 bar

0.5 bar	10.00 L/Min
1 bar	15.00 L/Min
1.5 bar	18.00 L/Min
2 bar	21.00 L/Min
2.5 bar	24.00 L/Min
3 bar	26.00 L/Min
5 bar	30.00 L/Min