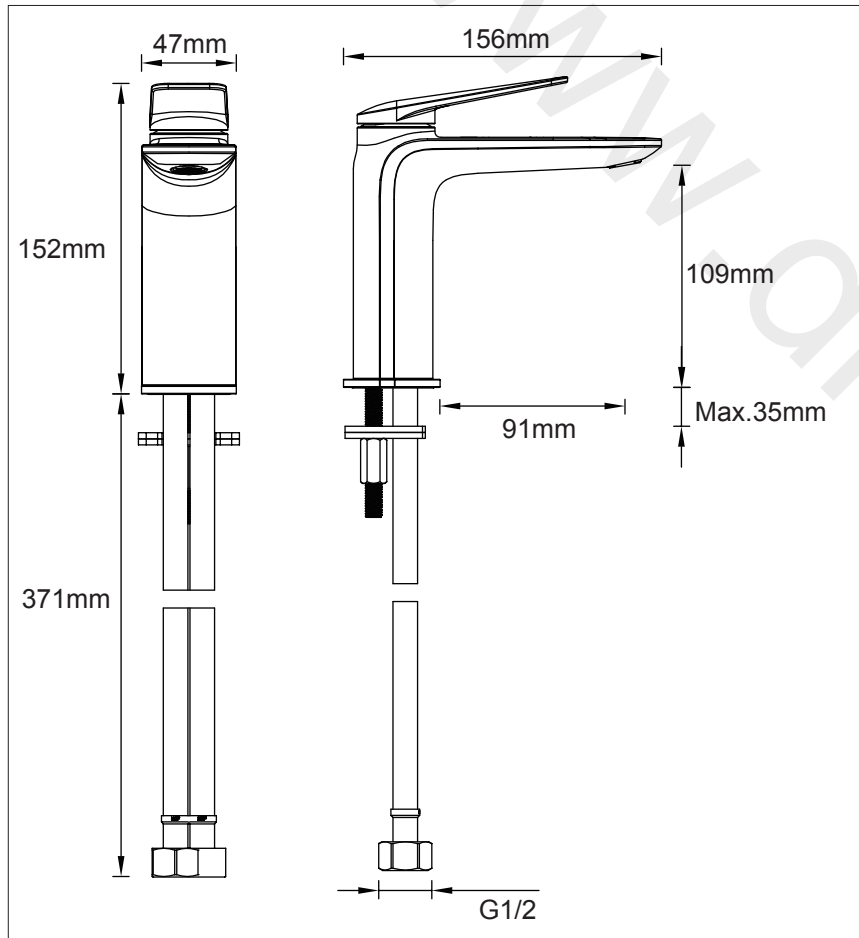


## Aero Basin Mixer No Waste In Chrome / Matt Black / Brushed Brass

567444/563188/ 563191



DIMENSIONS:  $\pm 5$ mm

Width: 47mm

Depth: 156mm

Height: 152mm

### IMPORTANT

#### General Installation Requirement

The installation must comply with regulations of the Local Water Authority as contained in their bylaws. All of the taps in this range are single flow (the hot and cold water mix in the body) and therefore should be supplied with hot and cold water at balanced pressures. If the taps are not supplied at balanced pressures then the mixer will not function correctly and it will also be necessary to fit non-return valves on both the hot and cold feeds. It is very important that all pipework is flushed thoroughly after installation to remove debris and avoid damaging the ceramic discs.

#### Minimum/Maximum working pressure

They are fitted with a ceramic disc cartridge which provides a smooth movement. Not suitable for gravity supplies, minimum 0.5 bar required. The Minimum work pressure is 0.5 bar. The maximum work pressure is 5 bar. If the mains pressure is over 5bar, a pressure reducing valve should be fitted. For pressures over 2 bar you may see increased noise from the tap. This can be resolved by fitting a pressure reducing valve, limiting the pressure to 2bar.

#### Flow rates/ Pressure Chart

The flow rate is for reference only, it will fluctuate depending on the onsite plumbing settings such as water pressure, mains pipe, connection hose, etc...

Flow Rate (L/MIN)					
Outlet	0.5 bar	1 bar	2 bar	3 bar	5 bar
	Mixed Water	Mixed Water	Mixed Water	Mixed Water	Mixed Water
spout	5	6.9	10	12.2	15.5

#### Approvals

All taps are manufactured using materials tested and approved under the Water Bylaws Scheme and comply with requirements of European standard EN817 where applicable.

## Preparations and bylaw requirements

These taps are single flow so the hot and cold water mix in the body. Water Bylaws require that where hot water is supplied from tank and cold from mains, non-return valves must be fitted on both hot and cold pipes as close as possible to the tap. These valves are not supplied. Where combination boilers are fitted, it is only necessary to shut off the incoming mains and turn the boiler off - non-return valves are not required.

## Warning

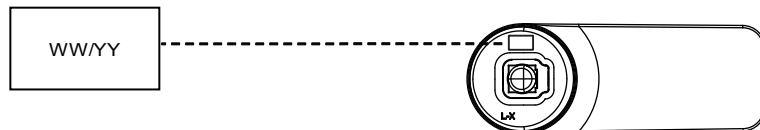
Before installing the new mixer, it is essential that you thoroughly flush through the supply pipes in order to remove any remaining swarf, solder or other impurities. Failure to carry out this simple procedure could cause problems or damage to the working of the mixer.

These hints are prepared in your guidance; you must exercise due care at all times. We do not accept responsibility for any problems that may occur through incorrect installation.

## **\*\*IMPORTANT INFORMATION\*\***

If you have an issue or require assistance with this product, then please locate and make a note of the production information located on the product as shown and quote these details when speaking to a BATHSTORE representative.

This is an example of the label for reference only. Please refer to the product for full label.

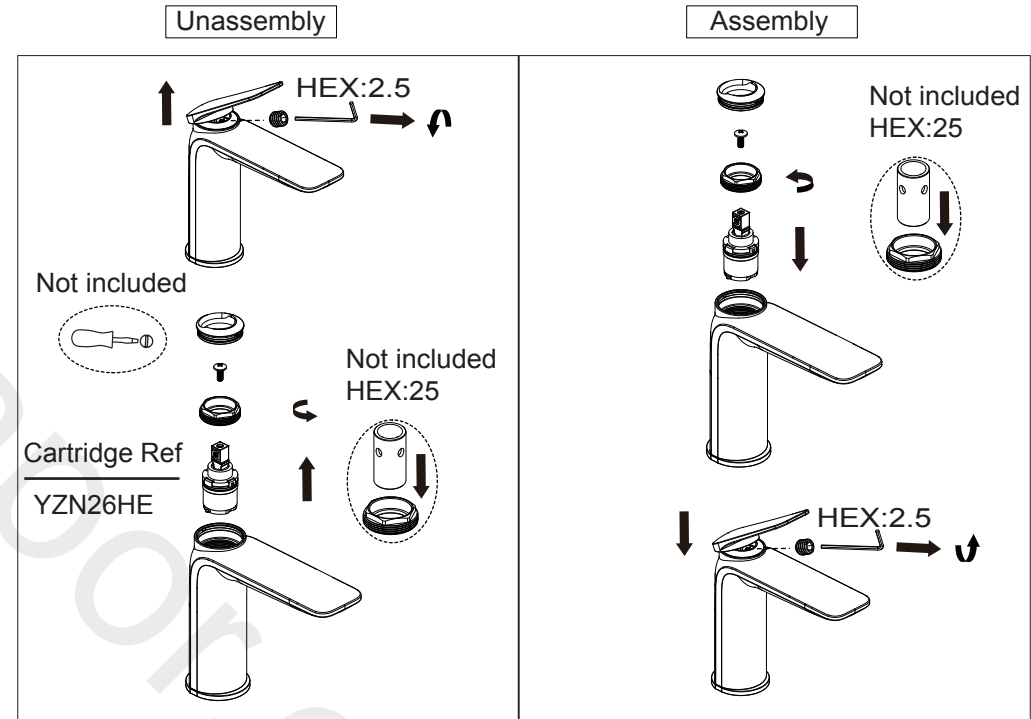


## CARE & MAINTENANCE

### MAINTENANCE

#### Cleaning the cartridge

The concealed cartridge should give trouble-free service, but in the event of any problem, service is straight forward.

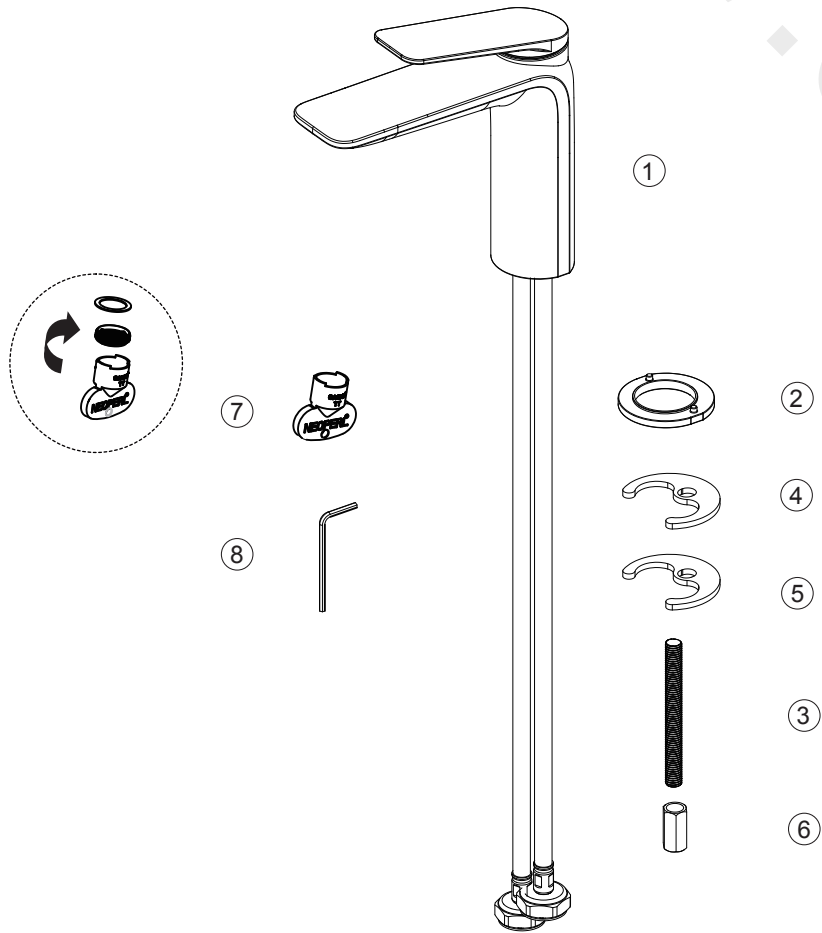


### CLEANING

The finish we use on our taps is very durable, nevertheless care should be taken when cleaning. Only clean with warm soapy water followed by rinsing with clean water and drying with a soft cloth. Our finishes are vulnerable to acid attack and some strong substances such as household cleaners, disinfectants, denture cleaners, hair dyes, wine making and photographic chemicals can cause the surface to go black or peel.

# PARTS LIST

No.	Description	QTY
1	Body	1
2	Flange	1
3	Screw rod	1
4	Rubber washer	1
5	Metal washer	1
6	Nut	1
7	Aerator key	1
8	Hex key	1



# ASSEMBLY

