

SPECIFICATION SHEET

COLLECTION:
PRODUCT CODE: AX-SIR-SFSP-CP



SHOWER TYPE

Shower Packages

GUARANTEE

10 Year Guarantee

PLUMBING SYSTEM SUITABILITY

Pumped System, Combination Boiler, Pressurised System

WITH AIR-INJECTION TECHNOLOGY

No

WITH THERMOSTATIC TECHNOLOGY

No

INCLUDES MORTAR / TILE GUARD

No

WITH BLEED VALVE FOR SYSTEM FLUSH ON INSTALLATION

No

COMPATIBLE WITH STUDFAST

No

ADJUSTABLE FIXING FOR EASY RETRO FIT

No

tel: 01934 744466
email: sales@vado.com
www.vado.com

WHERE INSPIRATION FLOWS
TAPS | SHOWERS | ACCESSORIES



SPECIFICATION SHEET

COLLECTION:

PRODUCT CODE: AX-SIR-SFSP-CP

www.divapor.com

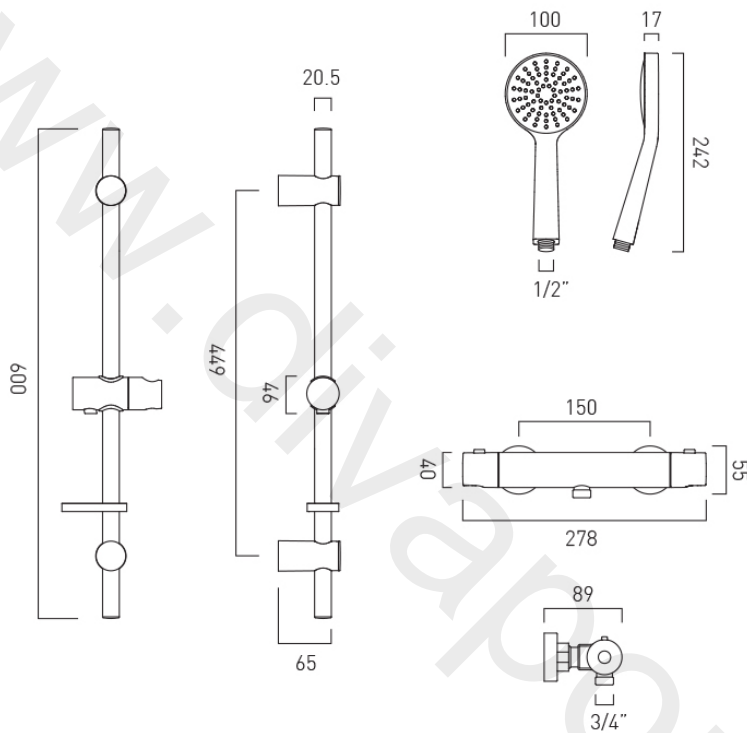
tel: 01934 744466
email: sales@vado.com
www.vado.com

WHERE INSPIRATION FLOWS
TAPS | SHOWERS | ACCESSORIES



TECHNICAL DRAWING

COLLECTION:
PRODUCT CODE: AX-SIR-SFSP-CP



tel: 01934 744466
email: sales@vado.com
www.vado.com

WHERE INSPIRATION FLOWS
TAPS | SHOWERS | ACCESSORIES

