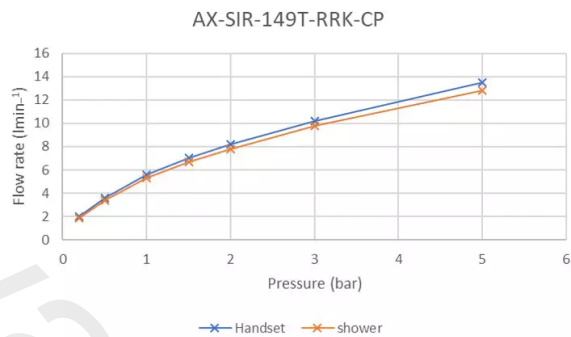


SPECIFICATION SHEET

COLLECTION: SHOWERING SOLUTIONS, SIRKEL
PRODUCT CODE: AX-SIR-149T-RRK/B-CP



SHOWER TYPE

Shower Column

WITH AIR-INJECTION TECHNOLOGY

No

WITH CROSS-SPRAY TECHNOLOGY

No

ADJUSTABLE FIXING FOR EASY RETRO FIT

Yes

WITH SHOWER KIT

Yes

VALVE TYPE

Exposed

WITH EASY-FIT BRACKETS

Yes

WITH INTEGRATED DIVERTER

Yes

WITH THERMOSTATIC TECHNOLOGY

Yes

tel: 01934 744466
email: sales@vado.com
www.vado.com

WHERE INSPIRATION FLOWS
TAPS | SHOWERS | ACCESSORIES



SPECIFICATION SHEET

COLLECTION: SHOWERING SOLUTIONS, SIRKEL
PRODUCT CODE: AX-SIR-149T-RRK/B-CP

WITH WATER FLOW STRAIGHTENER

No

INSTALLATION TOLERANCES

470mm height adjustment tolerance min 800mm - max 1270mm

HANDLES

2 Handle

SPARE PARTS

Thermostatic Cartridge S-701-31S Diverter Cartridge SG-801-25/2SX

MOUNTING

Wall Mounted

PLUMBING SYSTEM SUITABILITY

Pumped System, Combination Boiler, Pressurised System

COLLECTION NAME

Showering Solutions, Sirkel

FINISH

Chrome

MINIMUM OPERATING PRESSURE

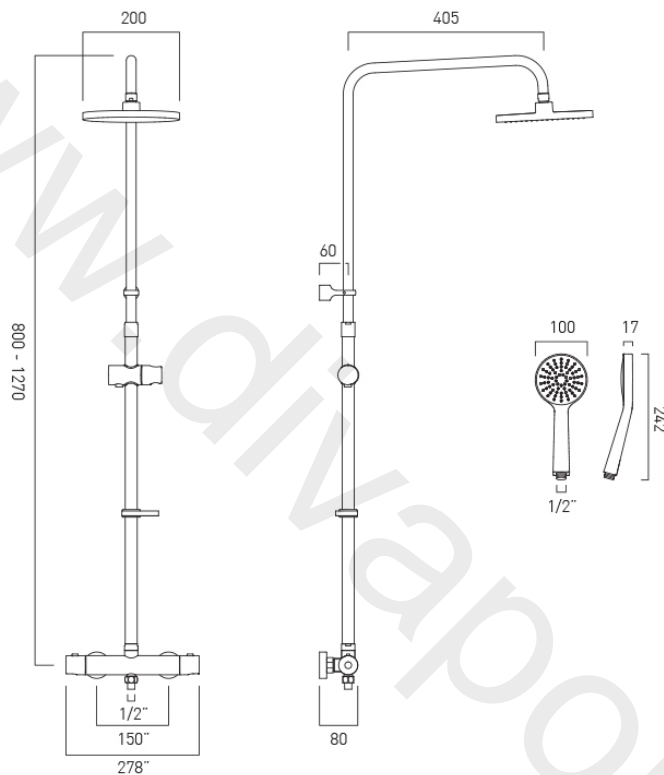
1.0 Bar MP

GUARANTEE

10 Year Guarantee

TECHNICAL DRAWING

COLLECTION: SHOWERING SOLUTIONS, SIRKEL
PRODUCT CODE: AX-SIR-149T-RRK/B-CP



tel: 01934 744466
email: sales@vado.com
www.vado.com

WHERE INSPIRATION FLOWS
TAPS | SHOWERS | ACCESSORIES

