

SPECIFICATION SHEET

COLLECTION: PROFESSIONAL
PRODUCT CODE: AX-PRO-300-CP



TAP TYPE

Basin Mixer

COLLECTION NAME

Professional

FINISH

Chrome

RECOMMENDED FLOW REGULATOR

FR-100/5-PLA

MINIMUM OPERATING PRESSURE

0.2 Bar LP

MAXIMUM OPERATING PRESSURE

5.0 Bar LP

GUARANTEE

10 Year Guarantee

HANDLES

1 Handle

WITH ECOTURN COLD START TECHNOLOGY

No

tel: 01934 744466
email: sales@vado.com
www.vado.com

WHERE INSPIRATION FLOWS
TAPS | SHOWERS | ACCESSORIES



SPECIFICATION SHEET

COLLECTION: PROFESSIONAL
PRODUCT CODE: AX-PRO-300-CP

NOTES

Medical mixer

WITH WATER FLOW STRAIGHTENER

No

WITH WATER FLOW AERATOR

No

CONNECTIONS / FITTINGS

2 x 1/2" nut x 300mm flexible connections

SPARE PARTS

Ceramic Cartridge CAR-K40B

DECK HOLE DRILL DIAMETER

35mm

MOUNTING

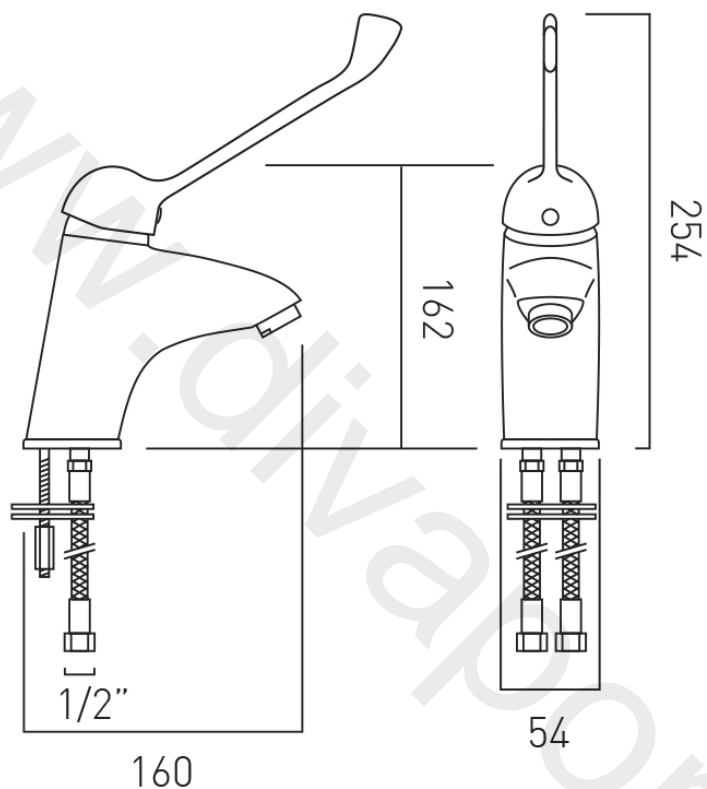
Deck Mounted

PLUMBING SYSTEM SUITABILITY

Gravity System, Pumped System, Combination Boiler, Pressurised System

TECHNICAL DRAWING

COLLECTION: PROFESSIONAL
PRODUCT CODE: AX-PRO-300-CP



tel: 01934 744466
email: sales@vado.com
www.vado.com

WHERE INSPIRATION FLOWS
TAPS | SHOWERS | ACCESSORIES

