

SPECIFICATION SHEET

COLLECTION: PROFESSIONAL
PRODUCT CODE: AX-PRO-167/C+H-CP



PLUMBING SYSTEM SUITABILITY

Gravity System, Pumped System, Combination Boiler, Pressurised System

COLLECTION NAME

Professional

MINIMUM OPERATING PRESSURE

0.2 Bar LP

GUARANTEE

10 Year Guarantee

MOUNTING

Deck Mounted

DUAL FLUSH

No

WITH INTEGRAL INTERNAL 1/4 TURN LEVER ISOLATION VALVE

No

WITH INTEGRAL INTERNAL DEBRIS FILTER

No

WITH FINISHED HEIGHT FIXING LOCATION MARKING

No

tel: 01934 744466
email: sales@vado.com
www.vado.com

WHERE INSPIRATION FLOWS
TAPS | SHOWERS | ACCESSORIES



SPECIFICATION SHEET

COLLECTION: PROFESSIONAL
PRODUCT CODE: AX-PRO-167/C+H-CP

www.divapor.com

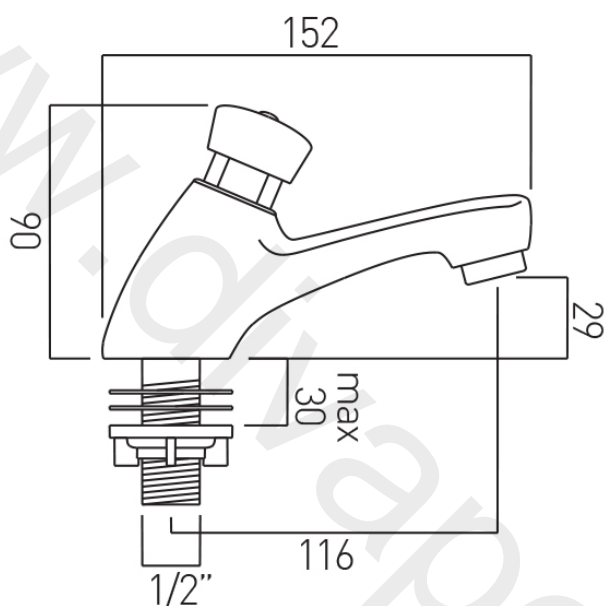
tel: 01934 744466
email: sales@vado.com
www.vado.com

WHERE INSPIRATION FLOWS
TAPS | SHOWERS | ACCESSORIES



TECHNICAL DRAWING

COLLECTION: PROFESSIONAL
PRODUCT CODE: AX-PRO-167/C+H-CP



tel: 01934 744466
email: sales@vado.com
www.vado.com

WHERE INSPIRATION FLOWS
TAPS | SHOWERS | ACCESSORIES

