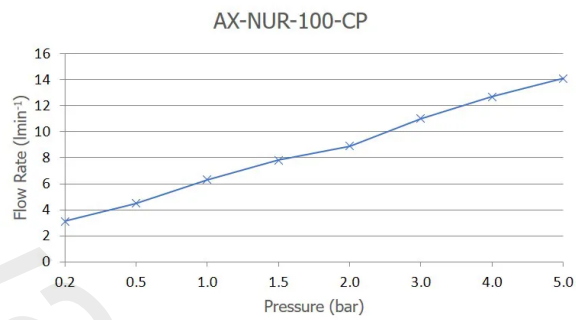


SPECIFICATION SHEET

COLLECTION: NURI
PRODUCT CODE: AX-NUR-100-CP



TAP TYPE

Basin Mixer

COLLECTION NAME

Nuri

FINISH

Chrome

MINIMUM OPERATING PRESSURE

1.0 Bar MP

MAXIMUM OPERATING PRESSURE

5.0 Bar LP

GUARANTEE

10 Year Guarantee

HANDLES

Single Lever

WITH ECOTURN COLD START TECHNOLOGY

No

WITH WATER FLOW STRAIGHTENER

No

tel: 01934 744466
email: sales@vado.com
www.vado.com

WHERE INSPIRATION FLOWS
TAPS | SHOWERS | ACCESSORIES



SPECIFICATION SHEET

COLLECTION: NURI

PRODUCT CODE: AX-NUR-100-CP

WITH WATER FLOW AERATOR

Yes

CONNECTIONS / FITTINGS

2 x 1/2" nut x 400mm flexipipe connections

SPARE PARTS

Ceramic Cartridge W-001-N35

DECK HOLE DRILL DIAMETER

35mm

WASTE

with Pop-up Waste

MOUNTING

Deck Mounted

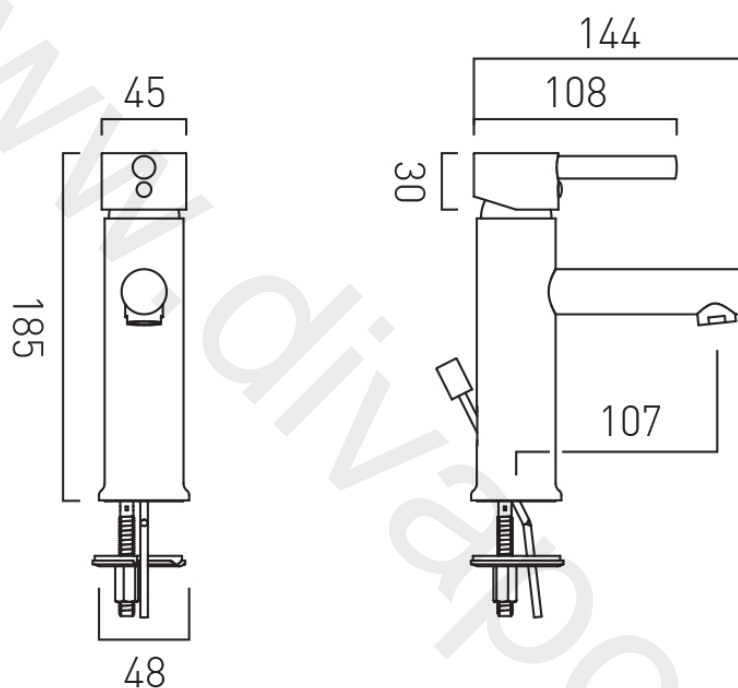
PLUMBING SYSTEM SUITABILITY

Pumped System, Combination Boiler, Pressurised System

TECHNICAL DRAWING

COLLECTION: NURI

PRODUCT CODE: AX-NUR-100-CP



tel: 01934 744466
email: sales@vado.com
www.vado.com

WHERE INSPIRATION FLOWS
TAPS | SHOWERS | ACCESSORIES

