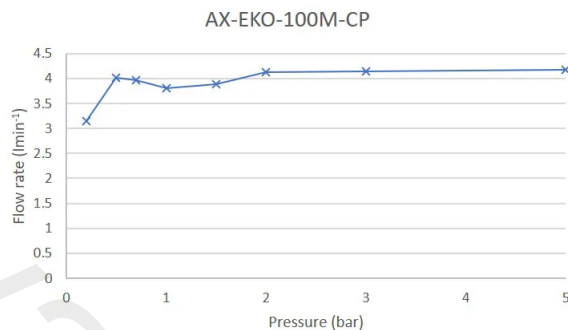


SPECIFICATION SHEET

COLLECTION: EKKO

PRODUCT CODE: AX-EKO-100M/CC-CP



TAP TYPE

Basin Mixer

COLLECTION NAME

Ekko

FINISH

Chrome

RECOMMENDED FLOW REGULATOR

4.5 l/m dual core flow regulator fitted as standard

MINIMUM OPERATING PRESSURE

0.2 Bar LP

MAXIMUM OPERATING PRESSURE

5.0 Bar LP

GUARANTEE

10 Year Guarantee

HANDLES

Single Lever

WITH ECOTURN COLD START TECHNOLOGY

No

tel: 01934 744466
email: sales@vado.com
www.vado.com

WHERE INSPIRATION FLOWS
TAPS | SHOWERS | ACCESSORIES



SPECIFICATION SHEET

COLLECTION: EKKO

PRODUCT CODE: AX-EKO-100M/CC-CP

WITH WATER FLOW STRAIGHTENER

No

WITH WATER FLOW AERATOR

Yes

CONNECTIONS / FITTINGS

2 x 1/2" nut x 400mm flexipipe connections

SPARE PARTS

Ceramic cartridge W-004-N35

DECK HOLE DRILL DIAMETER

32mm

WASTE

with Universal Basin Waste

MOUNTING

Deck Mounted

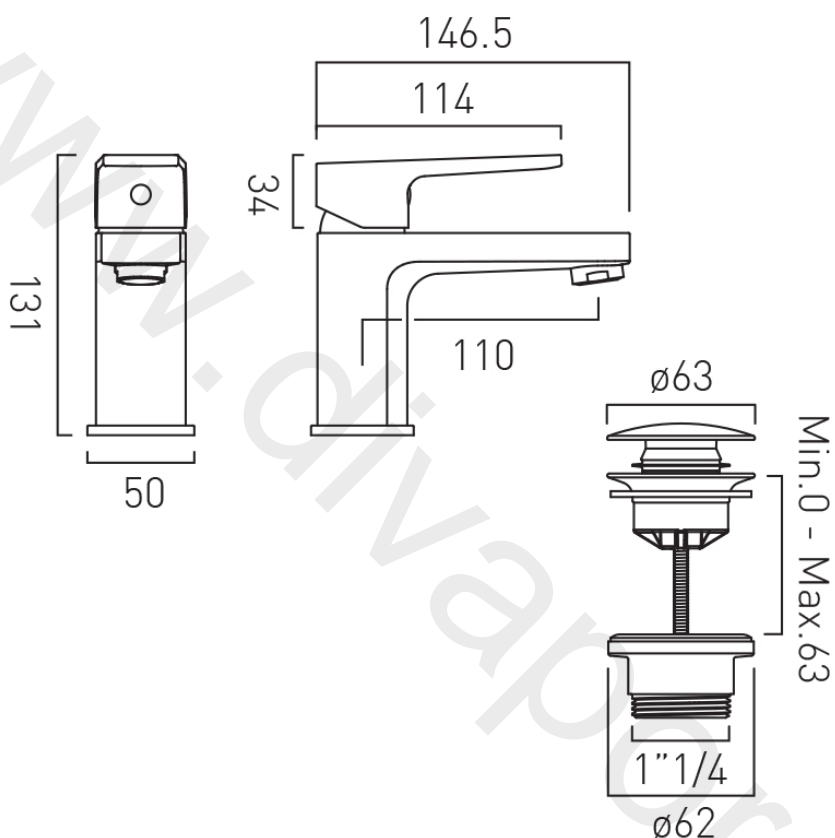
PLUMBING SYSTEM SUITABILITY

Gravity System, Pumped System, Combination Boiler, Pressurised System

TECHNICAL DRAWING

COLLECTION: EKKO

PRODUCT CODE: AX-EKO-100M/CC-CP



tel: 01934 744466
email: sales@vado.com
www.vado.com

WHERE INSPIRATION FLOWS
TAPS | SHOWERS | ACCESSORIES

