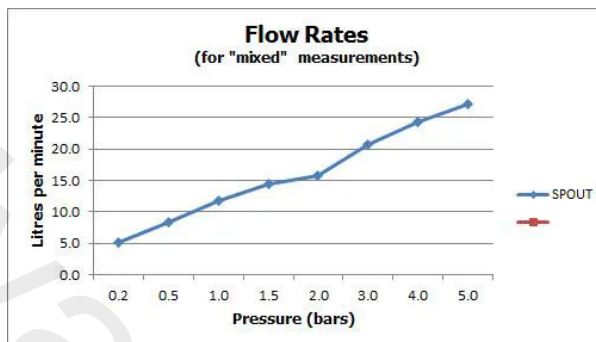


# SPECIFICATION SHEET

COLLECTION: ASTRA

PRODUCT CODE: AX-AST-306-CP



## TAP TYPE

Pillar Tap

## PLUMBING SYSTEM SUITABILITY

Gravity System, Pumped System, Combination Boiler, Pressurised System

## MOUNTING

Deck Mounted

## HOLES

2 Hole

## DECK HOLE DRILL DIAMETER

22mm

## HANDLES

2 Handle

## WITH WATER FLOW STRAIGHTENER

Yes

## COLLECTION NAME

Astra

## FINISH

Chrome

tel: 01934 744466  
email: sales@vado.com  
www.vado.com

WHERE INSPIRATION FLOWS  
TAPS | SHOWERS | ACCESSORIES



# SPECIFICATION SHEET

COLLECTION: ASTRA  
PRODUCT CODE: AX-AST-306-CP

RECOMMENDED FLOW REGULATOR

FR-106/4-PLA (2 are required)

MINIMUM OPERATING PRESSURE

0.2 Bar LP

GUARANTEE

10 Year Guarantee

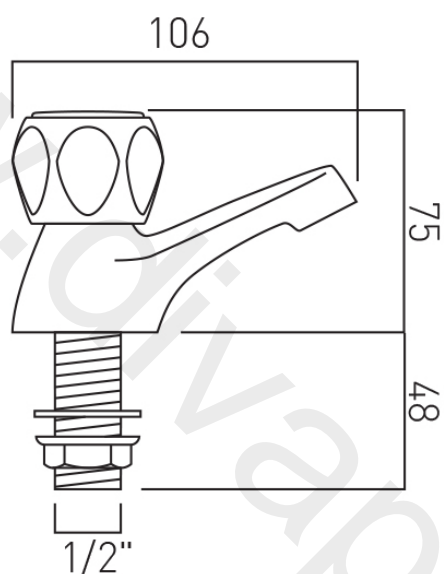
tel: 01934 744466  
email: [sales@vado.com](mailto:sales@vado.com)  
[www.vado.com](http://www.vado.com)

WHERE INSPIRATION FLOWS  
TAPS | SHOWERS | ACCESSORIES



# TECHNICAL DRAWING

COLLECTION: ASTRA  
PRODUCT CODE: AX-AST-306-CP



tel: 01934 744466  
email: sales@vado.com  
www.vado.com

WHERE INSPIRATION FLOWS  
TAPS | SHOWERS | ACCESSORIES

