

SPECIFICATION SHEET

COLLECTION: ASTRA
PRODUCT CODE: AX-AST-300-CP



TAP TYPE

Basin Mixer

COLLECTION NAME

Astra

FINISH

Chrome

RECOMMENDED FLOW REGULATOR

FR-100/5-PLA

MINIMUM OPERATING PRESSURE

0.2 Bar LP

MAXIMUM OPERATING PRESSURE

5.0 Bar LP

GUARANTEE

10 Year Guarantee

HANDLES

2 Handle

WITH ECOTURN COLD START TECHNOLOGY

No

tel: 01934 744466
email: sales@vado.com
www.vado.com

WHERE INSPIRATION FLOWS
TAPS | SHOWERS | ACCESSORIES



SPECIFICATION SHEET

COLLECTION: ASTRA

PRODUCT CODE: AX-AST-300-CP

WITH WATER FLOW STRAIGHTENER

Yes

WITH WATER FLOW AERATOR

Yes

CONNECTIONS / FITTINGS

2 x 1/2" nut x 400mm flexipipe connections

SPARE PARTS

Cold Ceramic cartridge C-201-RTC Hot Ceramic cartridge C-201-LTC

DECK HOLE DRILL DIAMETER

35mm

WASTE

with Pop-up Waste

MOUNTING

Deck Mounted

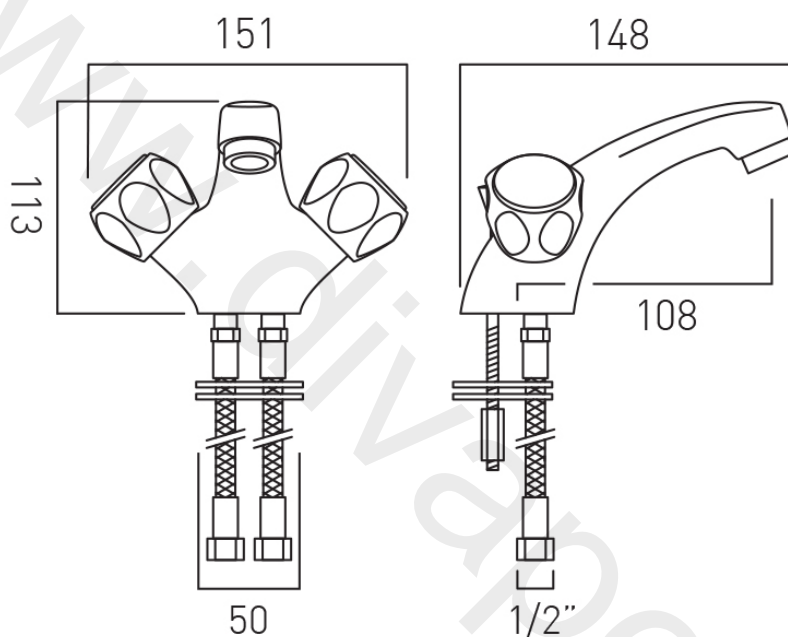
PLUMBING SYSTEM SUITABILITY

Gravity System, Pumped System, Combination Boiler, Pressurised System

TECHNICAL DRAWING

COLLECTION: ASTRA

PRODUCT CODE: AX-AST-300-CP



tel: 01934 744466
email: sales@vado.com
www.vado.com

WHERE INSPIRATION FLOWS
TAPS | SHOWERS | ACCESSORIES

