

Product Finish: Brushed Nickel

Product code: AT2171
EAN13 barcode: 5060344159845



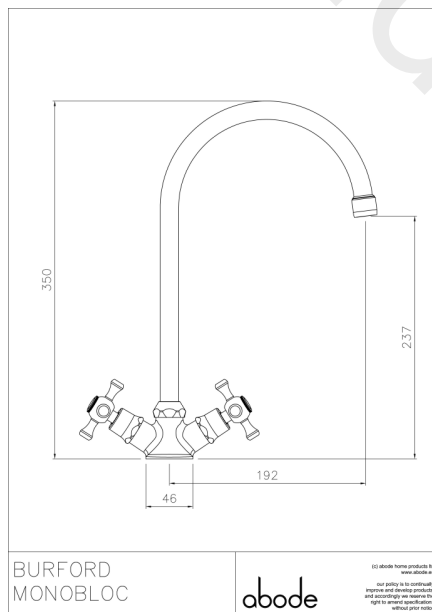
Product features:

- Metal construction throughout
- Quarter turn handle action for precise flow control
- Traditional French provincial styling
- Supplied complete with flexible tail pipes for fast simple fitting
- Antisplash spout supplied as standard

Additional information / Parts included:

Note: the image shown may not reflect the product finish, chrome finish is typically depicted.

Product dimensions:

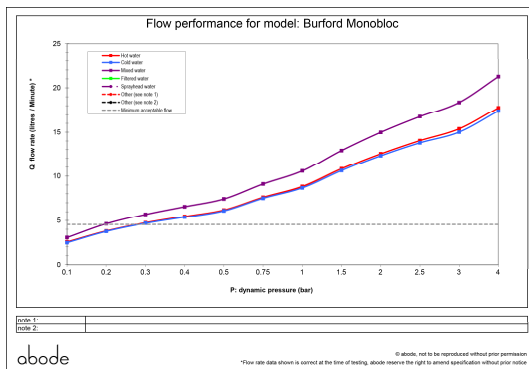


- Overall Height / projection: 350 mm
- Exit reach: 192 mm
- Exit height: 237 mm
- Centre distance(s):
- Base diameter(s): 46 mm
- Recommended hole diameter: Ø 35 mm
- Max. surface depth: 40 mm
- Spout diameter: 18 mm
- Spout aerator size: M22

Packaged properties:

- Box length: 435mm
- Box depth: 70mm
- Box width: 340mm
- Units per outer: 5
- Tap only weight: 0.85kg
- Boxed weight: 1.40kg

Product flow characteristics:



- Min / Max water pressure: 0.20 / 5.5 bar
- Recommended / Max water temperature: 46°C / 70°C
- Part G - Mixed flow rate at 3 bar (litres / min): 18.38
- Control valve type: Ceramic disc QT
- Product flow characteristics: Single flow
- Non return valve(s): No, none required
- Aerator type: Honeycomb
- Accepts revolve / spray areator: No
- Spout connection method: Locking collar
- Tail pipe inlet / outlet size: M12 / 1/2" BSP Female
- Inlet pipe type / length: flexible stainless braided hose / 250 mm

Care instructions summary:

- Clean the mixers and showers regularly as required, using soap, do not use any other cleaners.
- Regular cleaning will prevent the build-up of lime scale and dirt
- After cleaning rinse thoroughly with clean water to remove any cleaner residue
- Residues of sink & worktop cleaners can also cause damage, so rinse with clean water after using, avoid contact with any abrasives

Warranty Summary (Full details available on request):

- Materials and workmanship defects warranted for 5 years
- Valves and working parts warranted for 5 years
- Surface warranty defects warranted for 1 year
- O-rings, hoses & gaskets warranted for 1 year