

This installation guide covers model:

ARR-109-CP

ARR-209-CP

# ARRONDI™

3 hole wall basin mixer

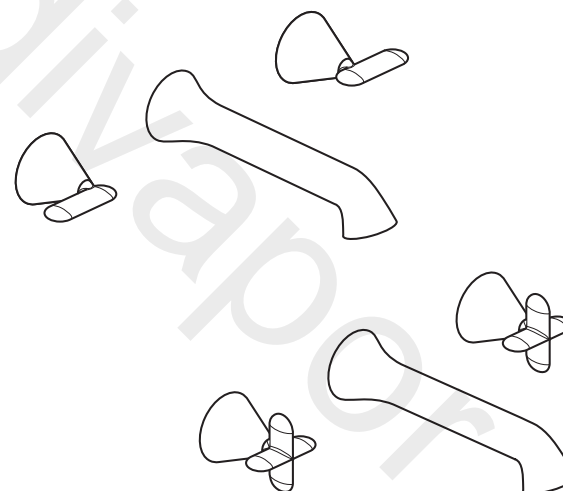
Installation Guide

ARR-109-CP

ARR-209-CP



WHERE  
INSPIRATION  
FLOWS



VADO  
Wedmore Road Cheddar Somerset England BS27 3EB  
tel 01934 744466  
fax 01934 744345  
www.vado.com  
sales@vado.com

Version 1, 1-4-22

CONRAN AND  
PARTNERS

VADO

## Important - Please Read

Please read these instructions carefully before starting installation and keep for future reference.

Remove all packaging and check the product for missing parts or damage before starting installation.

Any alterations made to this product and fittings may infringe water regulations and will invalidate the guarantee.

The installation must comply with all Local/National Water Supply Authority Regulations/Byelaws and Building and Plumbing Regulations.

To be installed in accordance with BS EN806.

We strongly recommend that you use a qualified and registered plumber.

## General Installation

This fitting is a mixing device and therefore water supplies should be reasonably balanced.

When installed, the fitting must comply with the requirements of the Water Supply (Water Fittings) Regulations 1999 and Scottish Byelaws 2004.

For further information, contact the Water Regulations department of your local water supplier (see the WRAS website [www.wras.co.uk](http://www.wras.co.uk) for details) or the Water Regulations Advisory Scheme by email ([info@wras.co.uk](mailto:info@wras.co.uk)) or telephone: 01495848454.

Before making any inlet pipe connections, all supply pipes MUST be thoroughly flushed to remove debris. Failure to do so could result in damage or low flow from the mixer unit. Water Supply (Water Fittings) Regulations 1999 Schedule 2 Section 13.

The fitting of isolating valves to the inlet feeds is advised for ease of maintenance.

Please take great care when installing this mixer not to damage its surface.

Please note if installing in an enclosed environment, access should be left for servicing and maintenance. No costs relating to inadequate access can be accepted.

**Please note: installation for the ARR-209-CP is shown throughout this guide, please follow the same instructions to install the ARR-109-CP.**

## Operating Specifications

### Operating Pressure

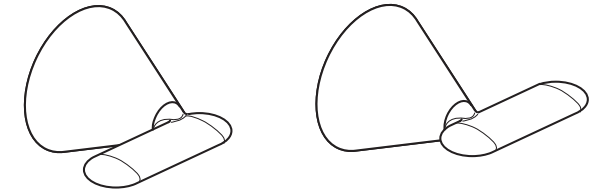
Minimum operating pressure - **1 bar**

Maximum operating pressure - **5 bar**

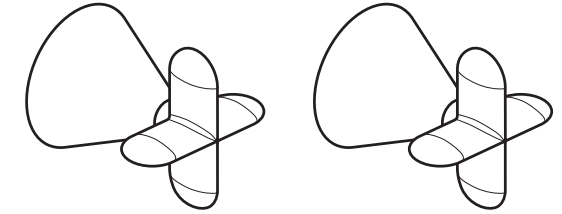
## Contents of Packaging



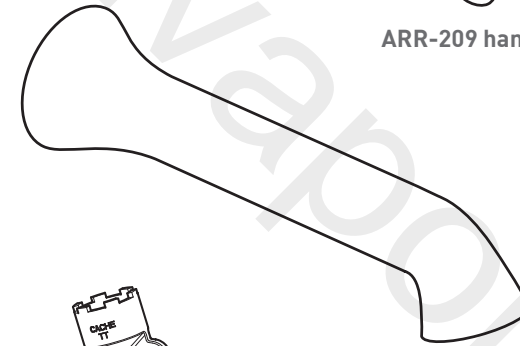
Installation Guide &  
User Manual



ARR-109 handles to suit your model



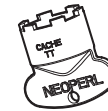
ARR-209 handles to suit your model



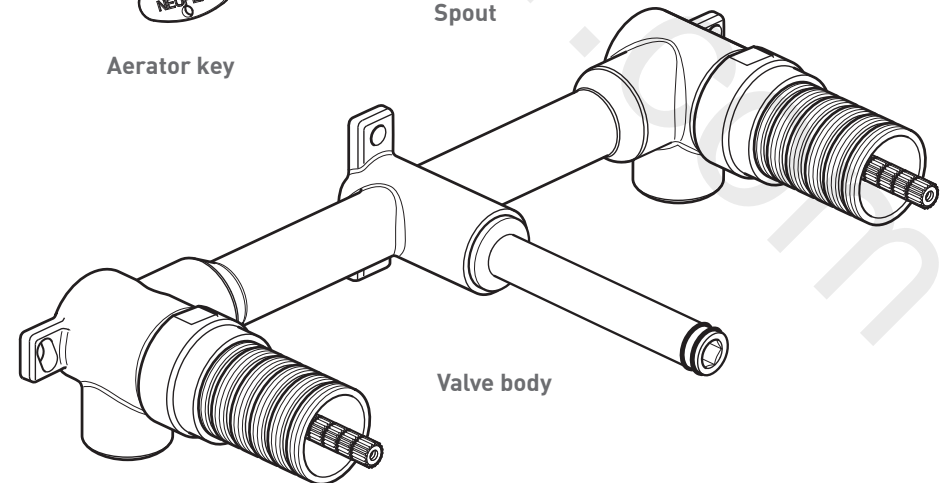
Spout



Hex key

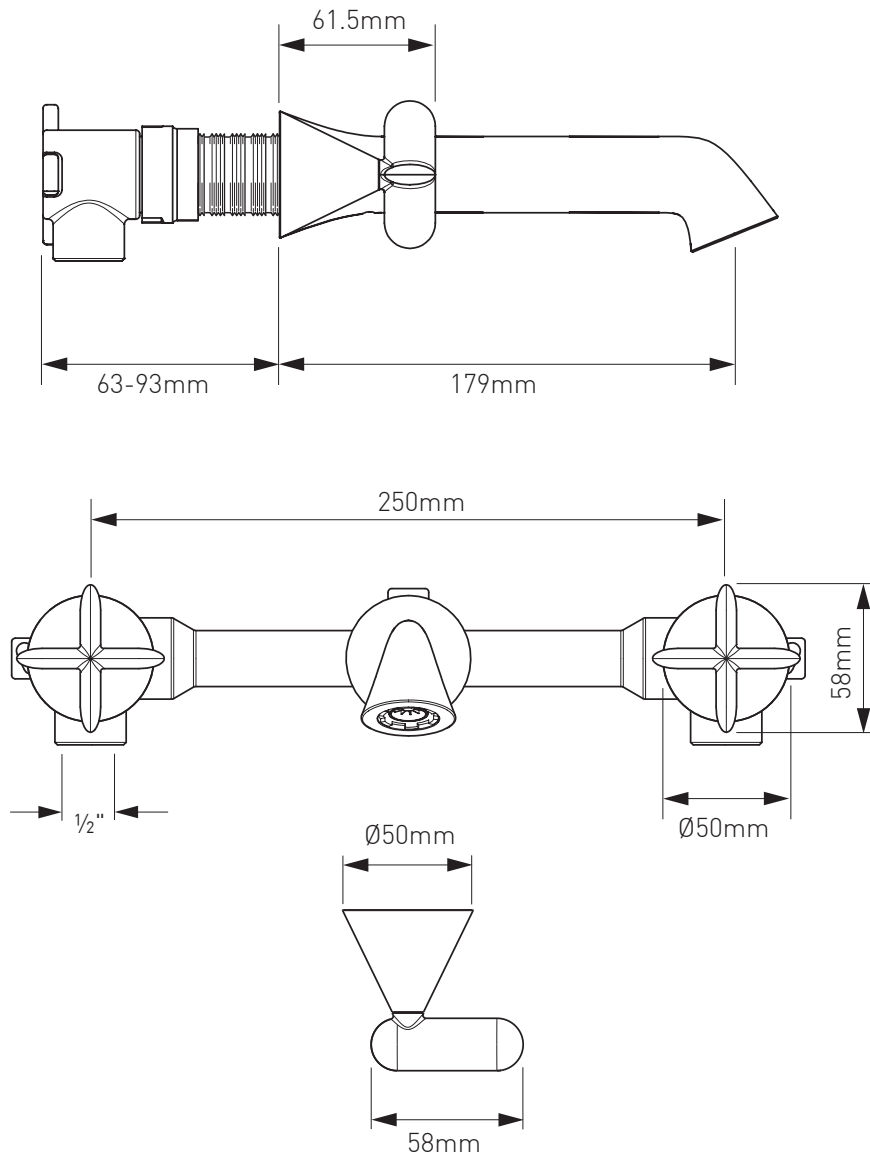


Aerator key



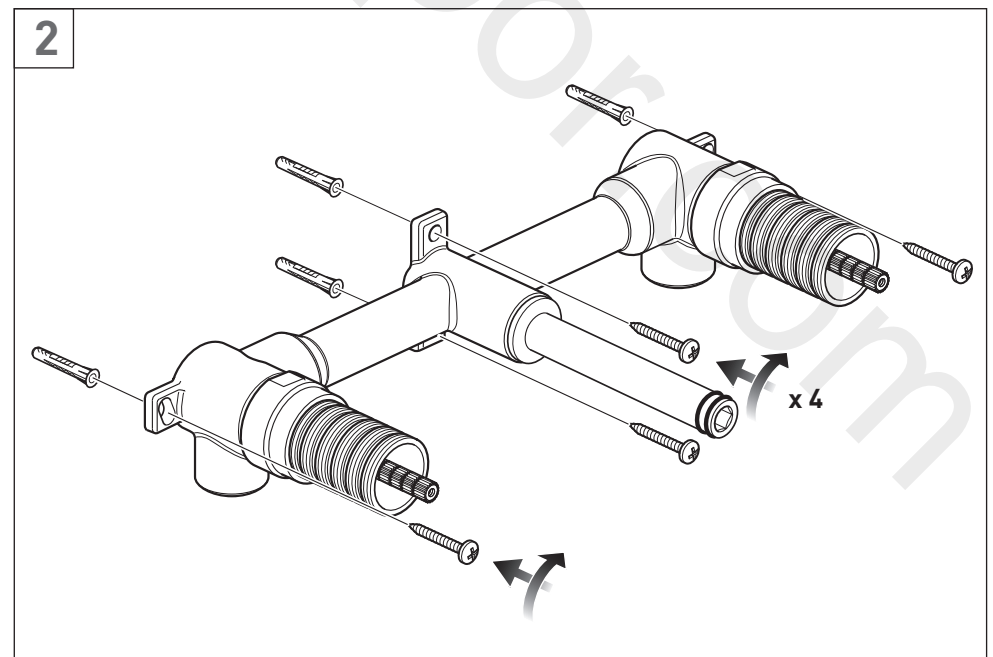
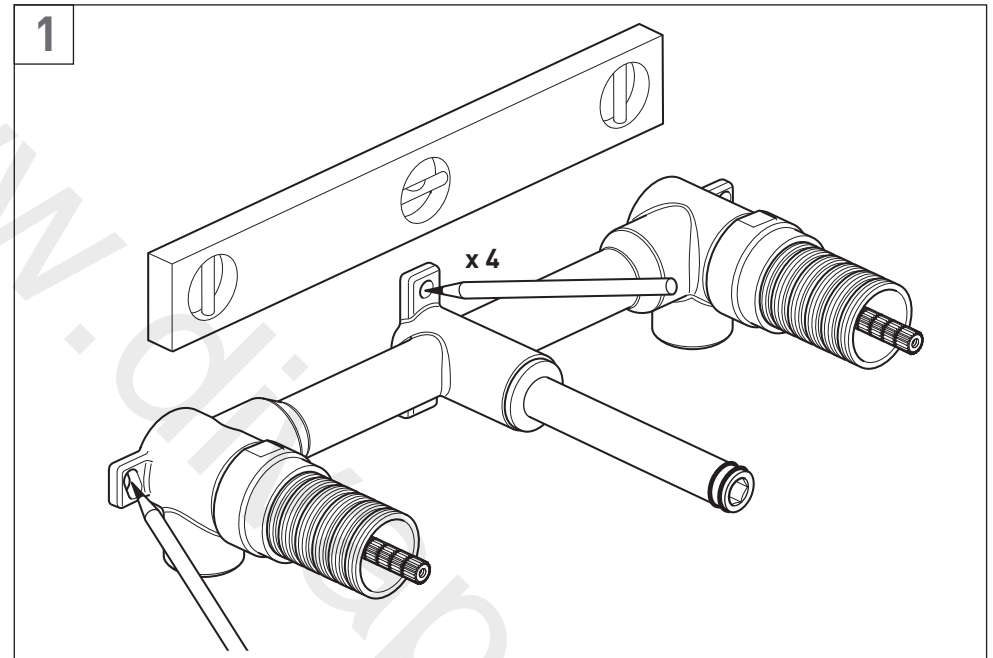
Valve body

# Dimensions

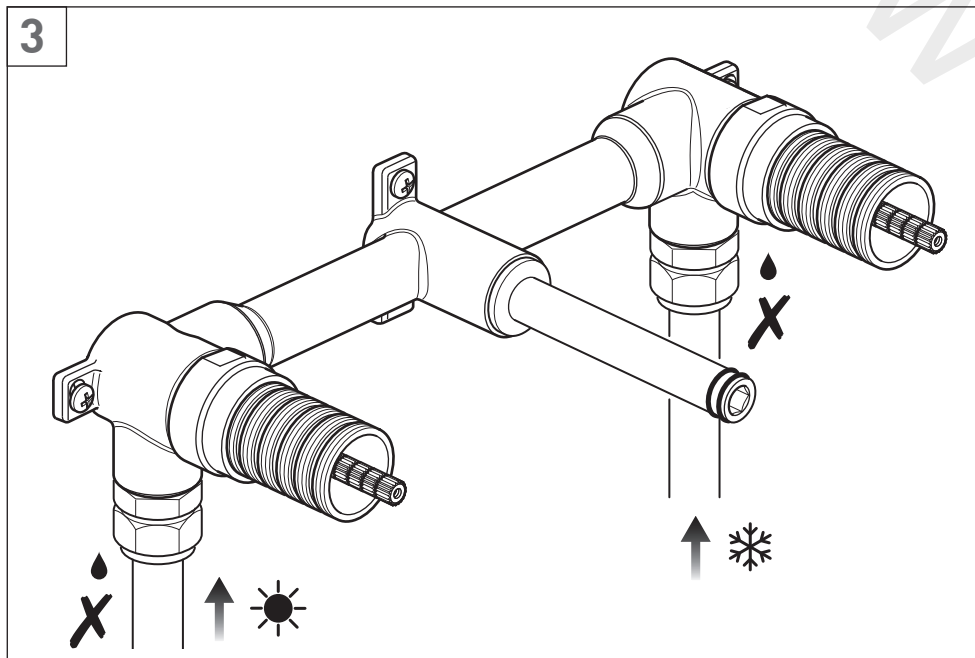


ARR-109 handle dimensions

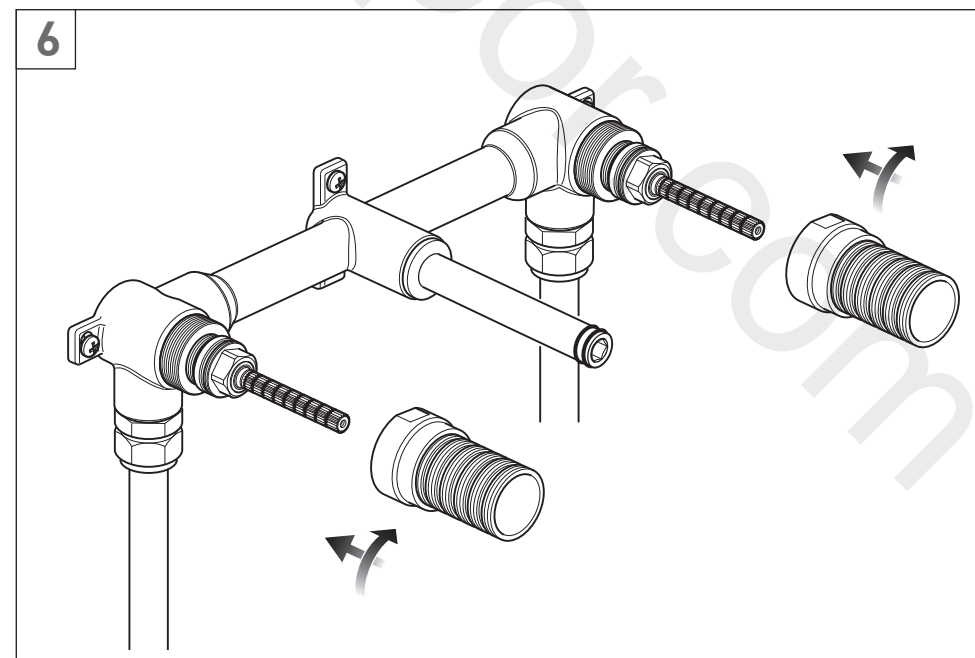
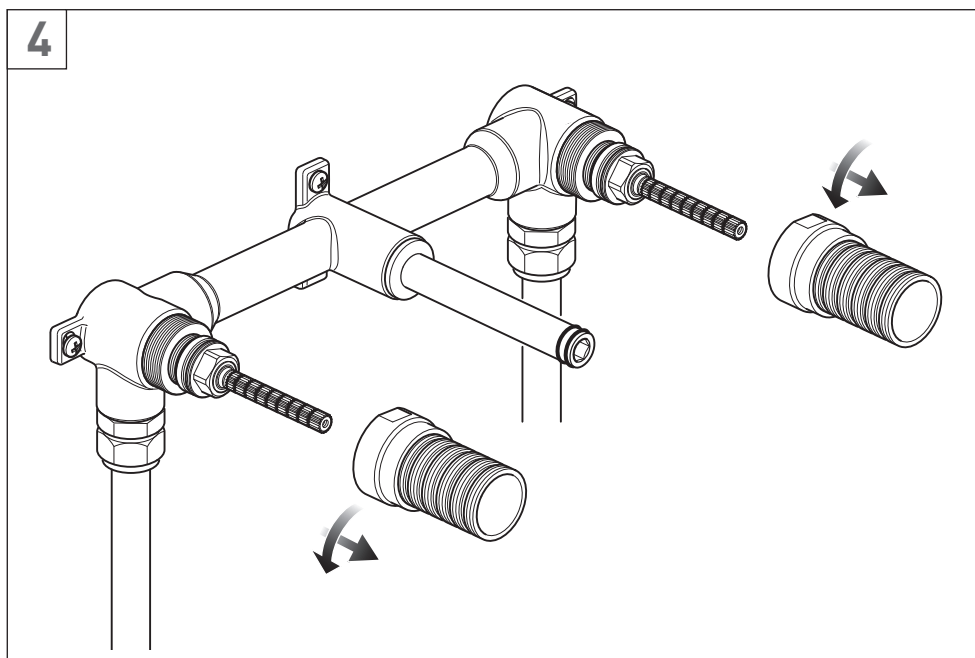
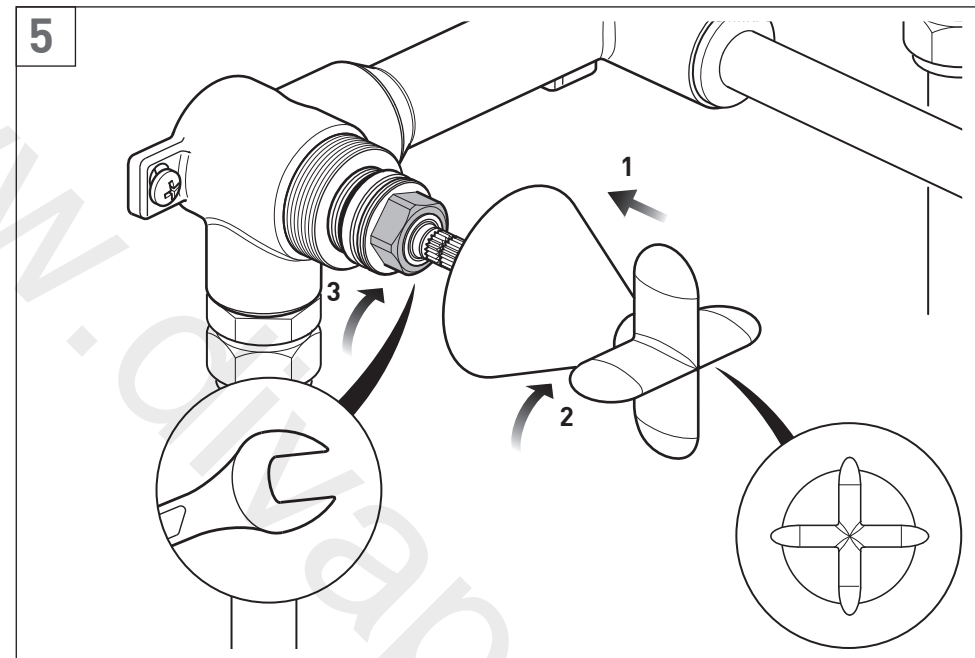
# Installation - Quick Guide



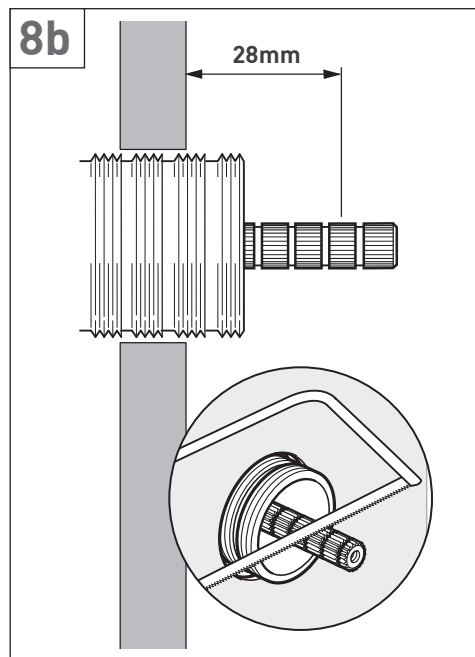
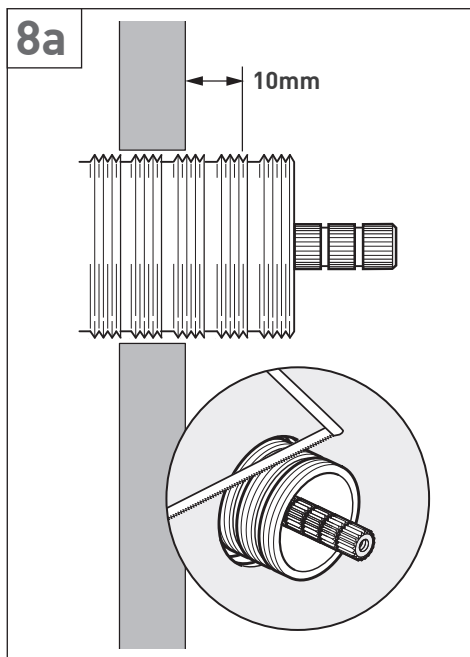
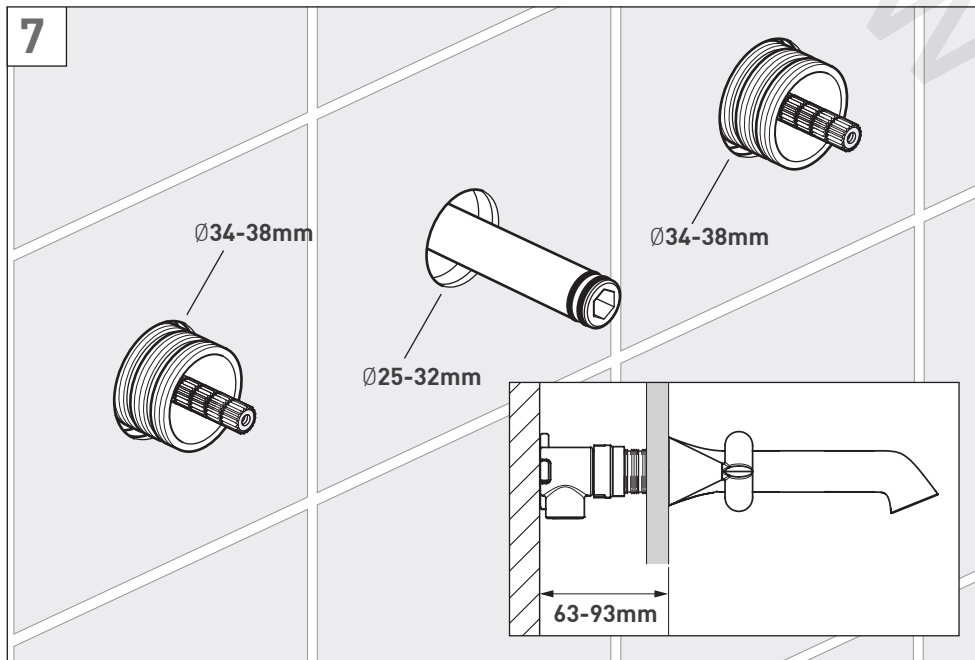
# Installation - Quick Guide



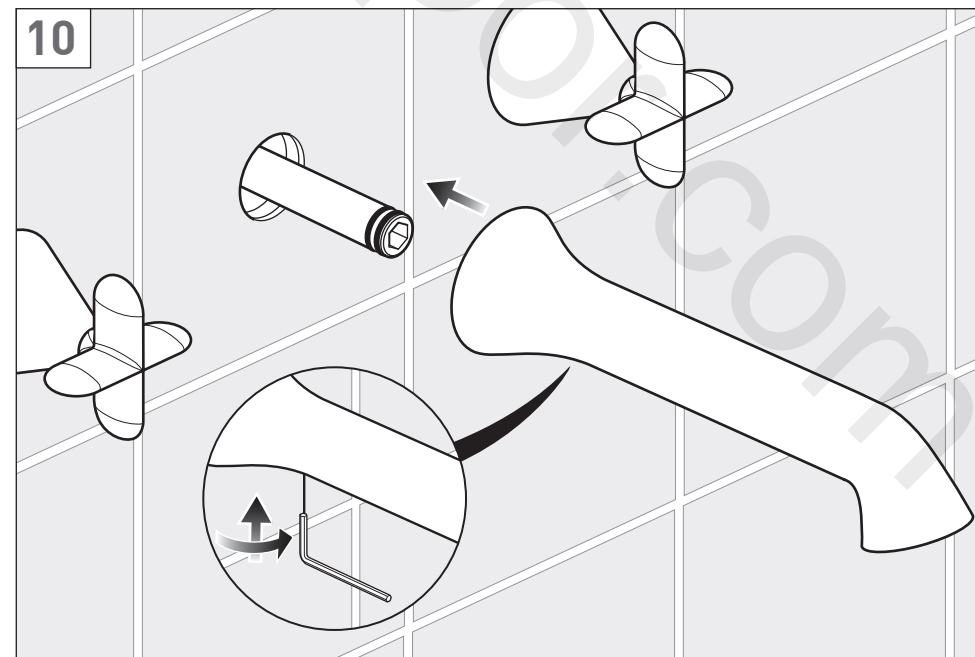
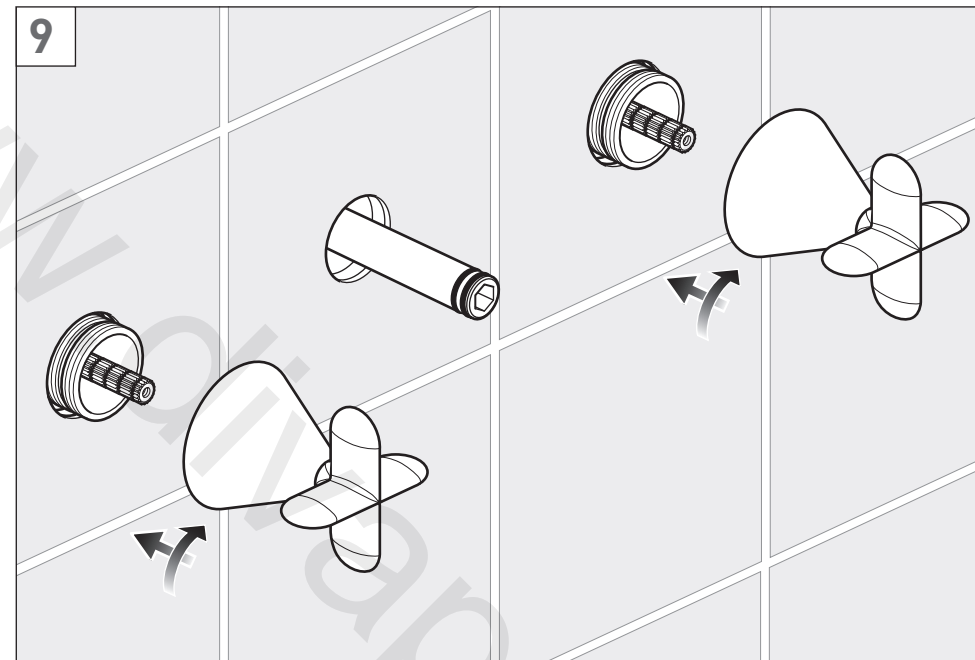
# Installation - Quick Guide



# Installation - Quick Guide



# Installation - Quick Guide



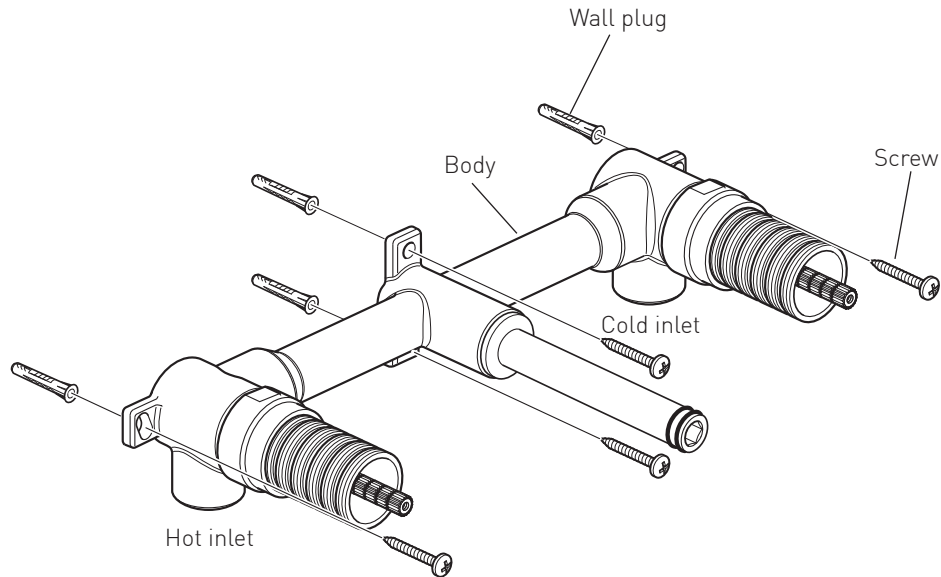
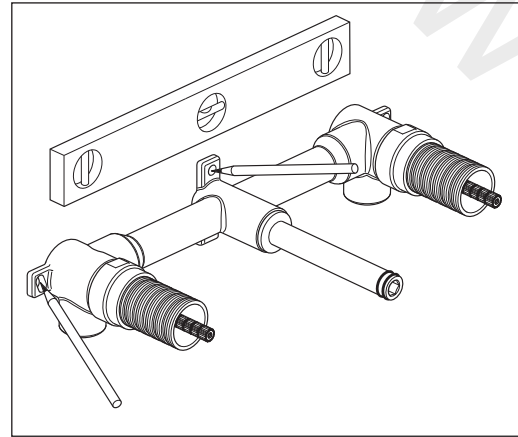
## Installation

**⚠ Warning!** Please check for any hidden cables and pipes before drilling holes in the wall. Before installing your new mixer, flush through pipe work to ensure removal of debris, turn off the water supply.

The valve must be set into the wall between 63mm min - 93mm max.

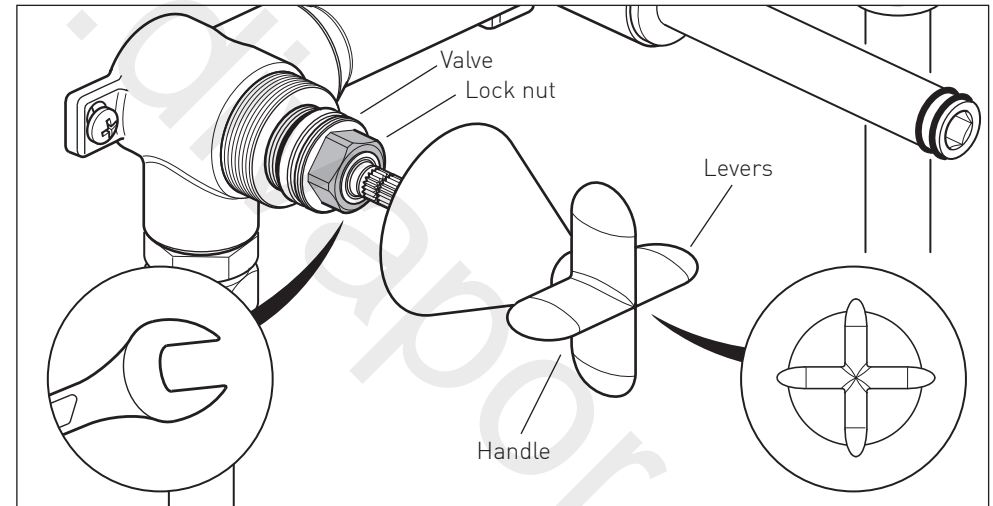
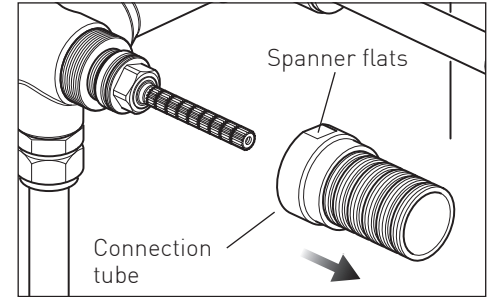
Offer the valve up to the wall making sure it is level, mark the four wall fixing positions and secure using suitable fixings. If you are fitting to a partition wall or a wall of particularly soft substrate you will need specialist fixings.

Make all connections to the valve. Connect hot supply to the left inlet and cold supply to the right inlet.



## Installation

Unscrew and remove the two threaded connection tubes. There are flats on the end of each tube should you need to use a spanner.



1. Unscrew the lock nut, remove it from the valve and place to one side. Then loosen the valve from the body, but do not remove.

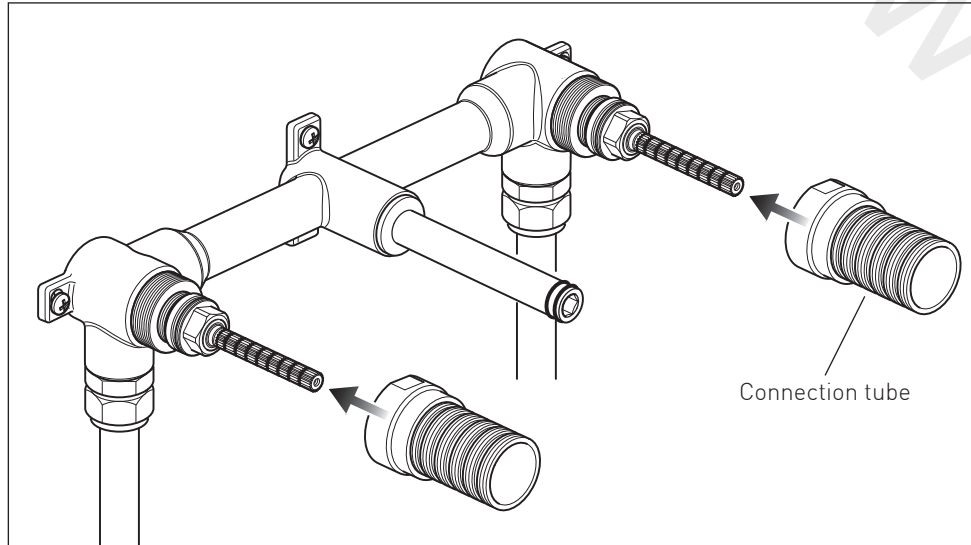
2. Place the handle onto the spline. Using light force only, turn the handle clockwise to screw the valve into the body until you feel slight resistance (When the base of the valve touches the body). Turn the handle so the valve is in the closed position, then remove the handle.

3. Refit the handle back onto the spline so it is as square as possible (do not worry if it is not perfectly aligned at this stage). Lightly adjust the handle and the valve body together so that the handle is perfectly straight, making sure you do not unscrew the valve by more than 20°. Should you do so, you will need to go back to the beginning of this step. Gently test the action of the handle and valve making sure that the handle is perfectly straight in the off position. Be careful to only turn the handle and not the valve. For ARR-109-CP only: The lever handle should point outwards when in the off position

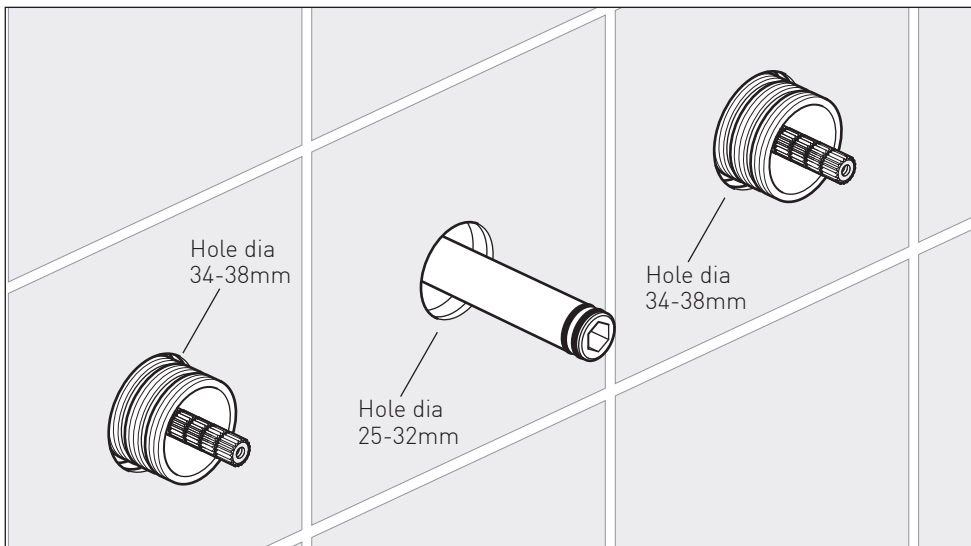
4. Remove the handle. Place the lock nut over the valve and screw down. Use a torque wrench to tighten the nut down to 20Nm. Repeat the same procedure for the other side.

5. Turn on the water supply and double check the entire installation for function, leaks, and look.

## Installation



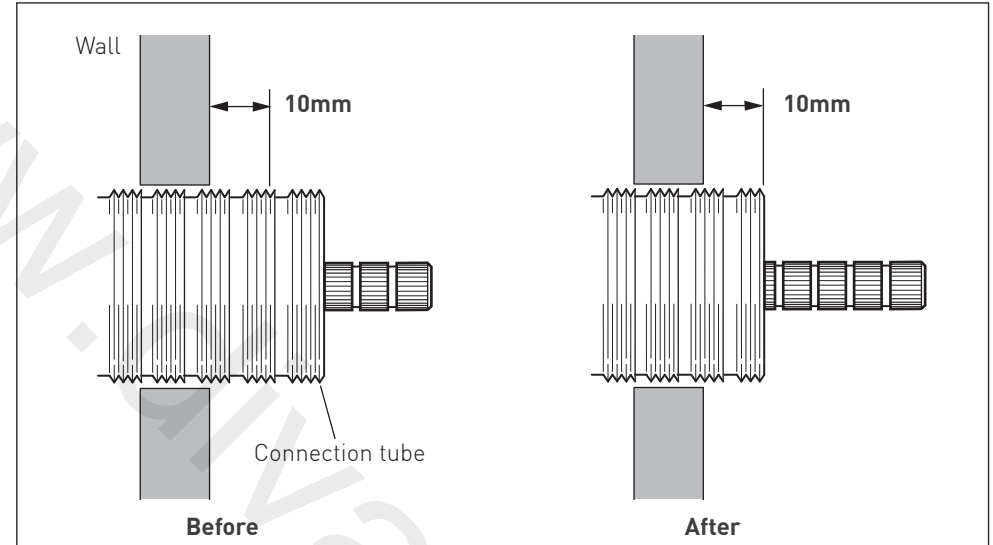
Screw the two threaded connection tubes back onto the valve. Tighten using a spanner on the spanner flats.



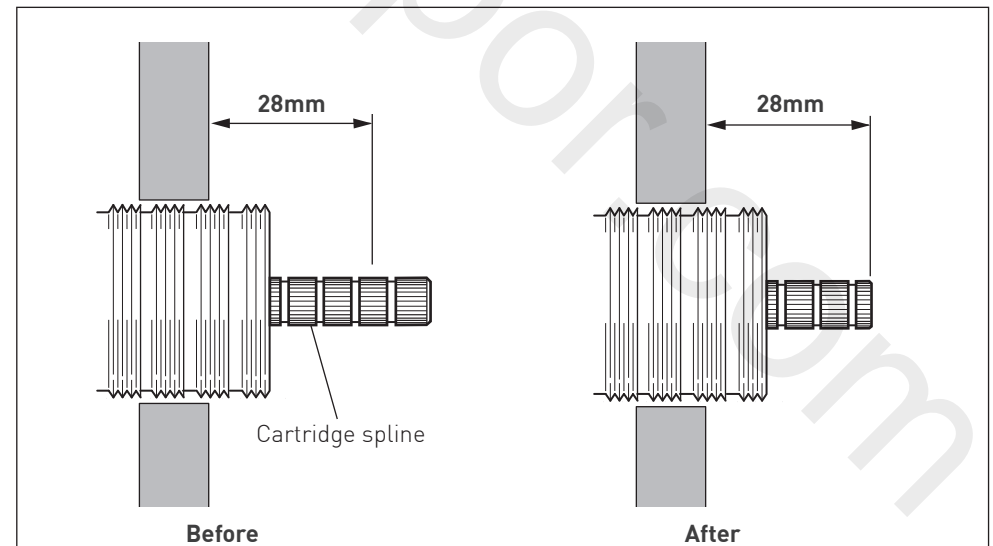
Finish the wall, tiles etc. Leaving spacing (between min and max hole diameters) around the three housings.

**Note:** using a level make sure that all tiles are flush with each other and are level.

## Installation



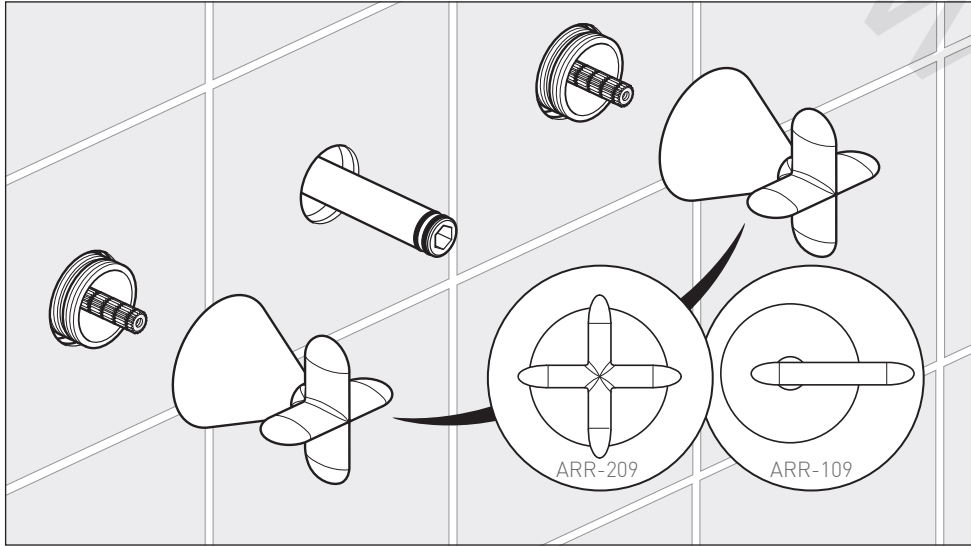
The threaded connection tube will need to be cut down to 10mm from the final wall surface. Mark 10mm from the wall and carefully cut using a hacksaw, remove any burrs.



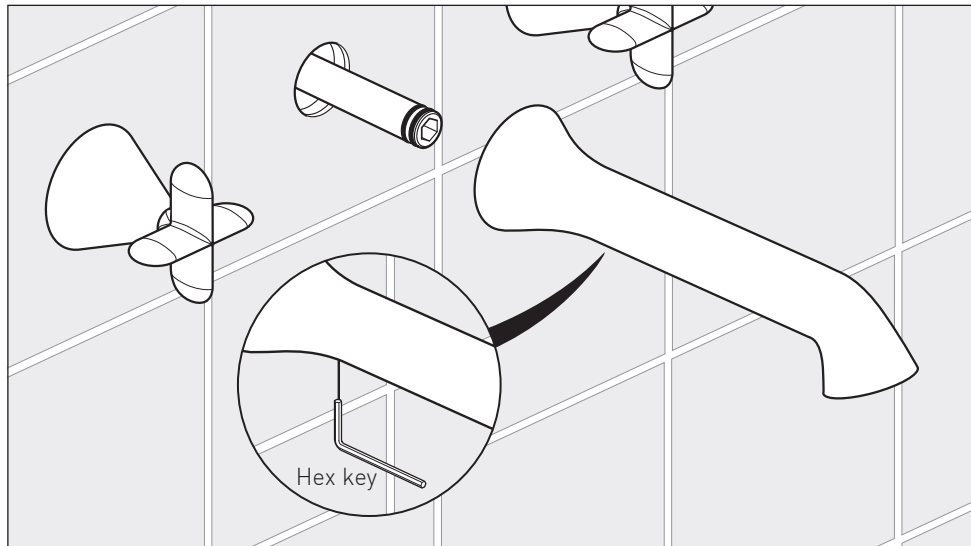
The cartridge spline will need to be cut down to 28mm from the finished wall. Mark 28mm from the finished wall and carefully cut using a hacksaw, remove any burrs.

## Installation

Notes:



Carefully slide the handles onto the spline of the valve. While holding the handle in the cross position (levers vertical/horizontal) screw the shroud until touches the wall. For the ARR-109 the levers should be in the horizontal position.



Carefully slide the spout over the O-rings and onto the spigot, make sure the spout is pointing downwards. Using the supplied hex key secure in position using the grub screw on the underside.