

# SPECIFICATION SHEET

**COLLECTION:** AQUABLADE

**PRODUCT CODE:** AQB-RO/30/SA-C/P



**DESCRIPTION:**

Aquablade  
round slimline single function shower head  
with shower arm  
easy clean  
wall mounted

300mm (12") diameter  
minimum operating pressure 1.0 bar MP

**FINISH:**

Chrome

**FLOW REGULATOR:**

FR-SHOWER/9-C/P

**MINIMUM OPERATING PRESSURE:**

(8") 0.2 bar LP (12") 1.0 bar MP



tel: 01934 744466  
email: sales@vado.com  
www.vado.com

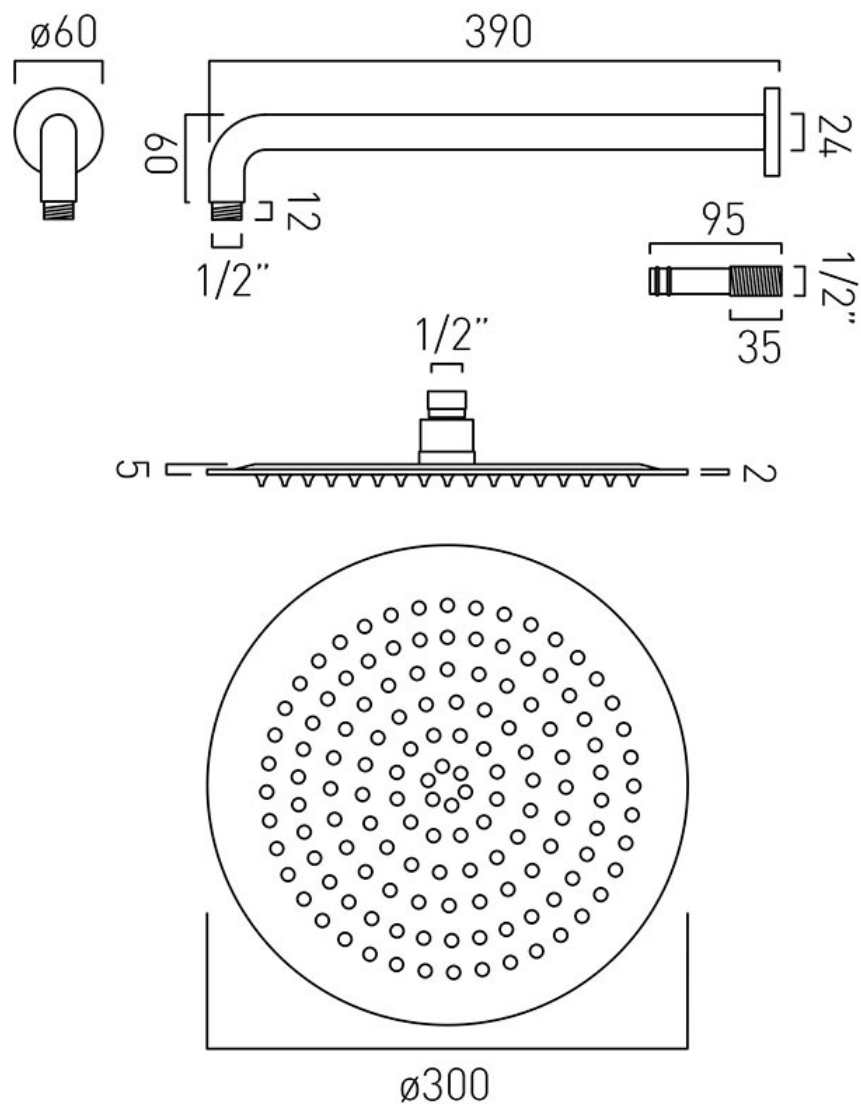
**where inspiration flows**  
taps | showering | accessories



# TECHNICAL DRAWING

**COLLECTION:** AQUABLADE

**PRODUCT CODE:** AQB-R0/30/SA-C/P



tel: 01934 744466  
email: sales@vado.com  
www.vado.com

**where inspiration flows**  
taps | showering | accessories

