



Product features:

- Metal construction throughout
- Single lever control for effortless single handed control
- Luscious European quality chromium plate finish
- A modern design classic style

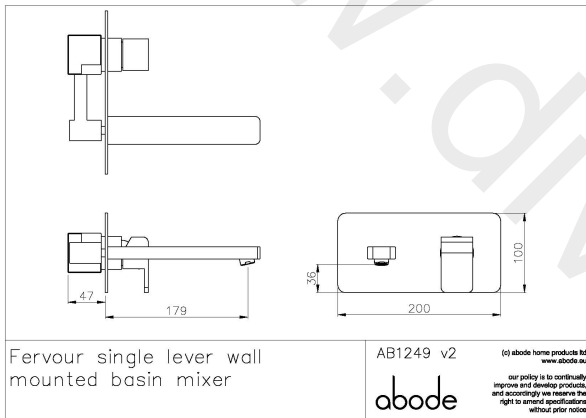
Packaged properties:

Box length (mm): 410 Box depth(mm): 110
Box width(mm): 280 Boxed weight (Kg): 2.9

Includes pop up waste?: No

Additional comments:

Product dimensions:



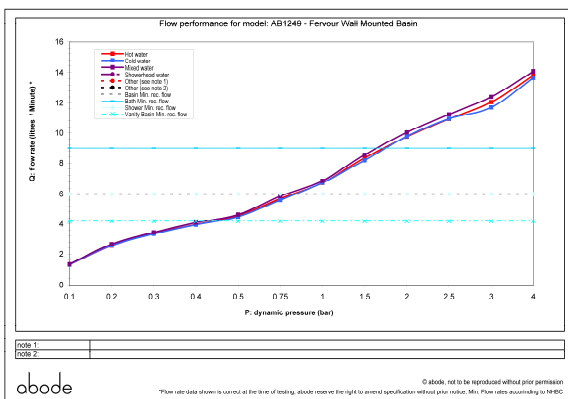
Fervour single lever wall mounted basin mixer

AB1249 v2
abode

(c) abode home products ltd
www.abode.au
our policy is to continually improve and develop products, and accordingly we reserve the right to amend specifications without prior notice

- **Product mounted where:** Wall
- **Recommended hole size:** 170 x 70 mm
- **Overall Height / projection:** 100 mm
- **Exit reach:** 179 mm
- **Exit height:** 36 mm
- **Base size:** 200 x 100 mm
- **Inlet centre distance(s):** n/a mm
- **Min. fitting depth required:** 47 mm
- **Max. surface depth:** n/a mm

Product flow characteristics:



- **Min / Max water pressure (bar):** 0.75* / 5.5
- **Part G max. mixed flow rate at 3 bar (l/m):** 14.07
- **Inlet connection type / length:** Fixed / n/a mm
- **Inlet (plumbing connection) / outlet size:** 1/2" F / n/a
- **Product flow characteristics:** Single flow
- **Non return valve(s) supplied or position:** n/a
- **Aerator type:** Neoperl honeycomb, laminar, white screen
- **Control valve type:** Single lever (35mm)
- **Includes output diverter?:** N/A
- **Inlet meshed particle filters included:** n/a
- **Shower hose type / length:** N/a / n/a

Warranty Summary (full details available on request):

- Materials and workmanship defects warranted for 5 years
- Valves and working parts warranted for 5 years
- Surface warranty defects warranted for 1 year
- O-rings, hoses & gaskets warranted for 1 year

Care instructions:

- Clean the mixers and showers regularly as required, using soap, do not use any other cleaners.
- Regular cleaning will prevent the build up of lime scale and dirt
- After cleaning rinse thoroughly with clean water to remove any cleaner residue
- Residues of liquid soaps, shampoos and shower foams can also cause damage, so rinse with clean water after using, avoid contact with any abrasives