

**Product features:**

- Metal construction throughout
- Single lever control for effortless single handed control
- Supplied complete with flexible tail pipes for fast simple fitting
- Elegant minimalist design styling with a softened edge

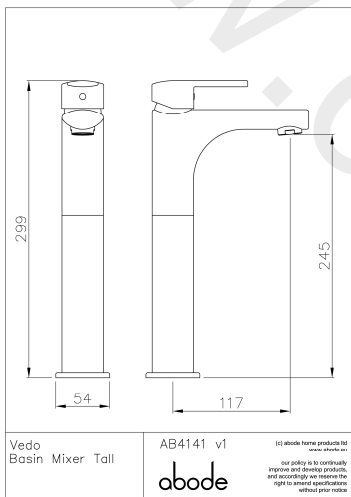
**Packaged properties:**

Box length (mm): 420      Box depth(mm): 100  
Box width(mm): 180      Boxed weight (Kg): 2.5

Includes pop up waste?: No

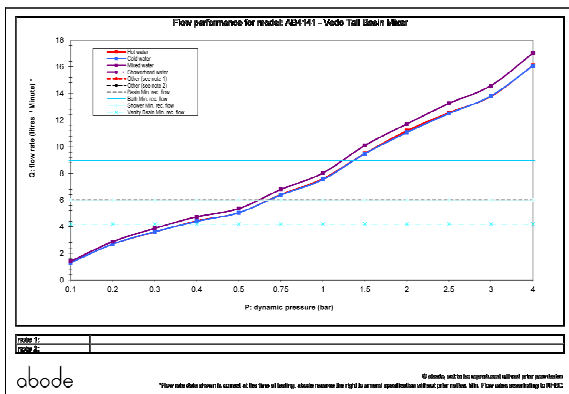
Additional comments:

**Product dimensions:**



- Product mounted where: Surface
- Recommended hole size: 35 mm
- Overall Height / projection: 299 mm
- Exit reach: 117 mm
- Exit height: 245 mm
- Base size: 54 mm
- Inlet centre distance(s): n/a mm
- Min. fitting depth required: N/A mm
- Max. surface depth: TBC mm

**Product flow characteristics:**



- Min / Max water pressure (bar): 0.75\* / 5.50
- Part G max. mixed flow rate at 3 bar (l/m): 14.59
- Inlet connection type / length: Flexi / 595 mm
- Inlet (plumbing connection) / outlet size: 1/2" F / M10
- Product flow characteristics: Single flow
- Non return valve(s) supplied or position: No
- Aerator type: Neoperl honeycomb, dark blue
- Control valve type: Single lever (35mm)
- Includes output diverter?: N/A
- Inlet meshed particle filters included: N/A
- Shower hose type / length: N/A / N/A

**Warranty Summary** (full details available on request):

- Materials and workmanship defects warranted for 5 years
- Valves and working parts warranted for 5 years
- Surface warranty defects warranted for 1 year
- O-rings, hoses & gaskets warranted for 1 year

**Care instructions:**

- Clean the mixers and showers regularly as required, using soap, do not use any other cleaners.
- Regular cleaning will prevent the build up of lime scale and dirt
- After cleaning rinse thoroughly with clean water to remove any cleaner residue
- Residues of liquid soaps, shampoos and shower foams can also cause damage, so rinse with clean water after using, avoid contact with any abrasives