

**Product features:**

- Metal & ABS construction
- Crisp modernist design lines
- 5 year limited warranty

**Packaged properties:**

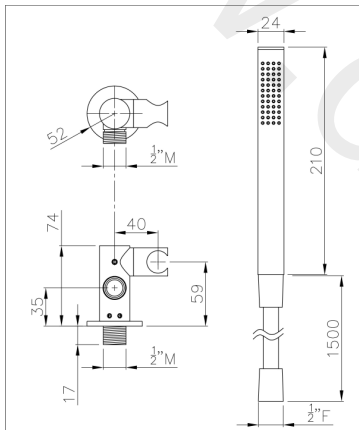
**Box length (mm):** 265      **Box depth(mm):** 80  
**Box width(mm):** 145      **Boxed weight (Kg):** 1.06

**Includes pop up waste?:** No

**Additional comments:**

- Rotating outlet showerhead holder
- AB2433 - 1/2" flow limiter recommended for pressures over 1.5 bar

**Product dimensions:**



Euphoria circular combined wall outlet, bracket and handshower



© abode home products ltd www.abode.eu  
 our policy is to continuously improve and develop products, and accordingly we reserve the right to amend specifications without prior notice.

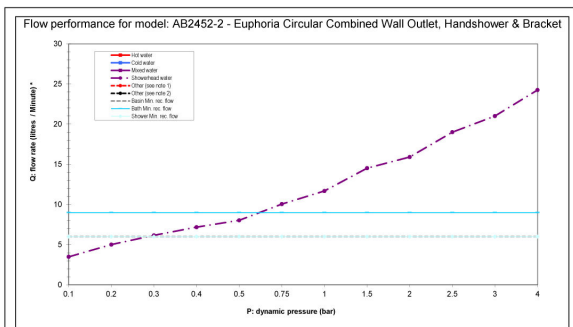
- **Product mounted where:** Wall
- **Recommended hole size:** N/A mm

- **Overall Height / projection:** 210 mm
- **Exit reach:** 59 mm
- **Exit height:** 30 mm
- **Base size:** 52 mm

- **Inlet centre distance(s):** N/A mm

- **Min. fitting depth required:** 60 mm N/A mm
- **Max. surface depth:** N/A

**Product flow characteristics:**



Flow performance for model: AB2452-2 - Euphoria Circular Combined Wall Outlet, Handshower & Bracket  
 Note 1: AB2433 - 1/2" flow limiter recommended for pressures over 1.5 bar  
 Note 2:  
 © abode, not to be reproduced without prior permission  
 \*Flow rate data shown is correct at the time of testing, abode reserves the right to amend specification without prior notice. Min. Flow rates according to WHSC

- **Min / Max water pressure (bar):** 0.30\* / 5.00
- **Part G max. mixed flow rate at 3 bar (l/m):** 21.01
- **Inlet connection type / length:** Fixed / TBC mm
- **Inlet (plumbing connection) / outlet size:** 1/2" M / 1/2" M
- **Product flow characteristics:** N/A
- **Non return valve(s) supplied or position:** No
- **Aerator type:** N/A
- **Control valve type:** N/A (N/A)
- **Includes output diverter?:** No
- **Inlet meshed particle filters included:** N/A
- **Shower hose type / length:** Smoothflex / 1.50 m

**Warranty Summary** (full details available on request):

- Materials and workmanship defects warranted for 5 years
- Valves and working parts warranted for 5 years
- Surface warranty defects warranted for 1 year
- O-rings, hoses & gaskets warranted for 1 year

**Care instructions:**

- Clean the mixers and showers regularly as required, using soap, do not use any other cleaners.
- Regular cleaning will prevent the build-up of lime scale and dirt
- After cleaning rinse thoroughly with clean water to remove any cleaner residue
- Residues of liquid soaps, shampoos and shower foams can also cause damage, so rinse with clean water after using, avoid contact with any abrasives