



**Product features:**

- Luscious European quality chromium plate finish
- Supplied complete with flexible tail pipes for fast simple fitting
- A modern design classic style
- Single lever control for effortless single handed control
- Metal construction throughout

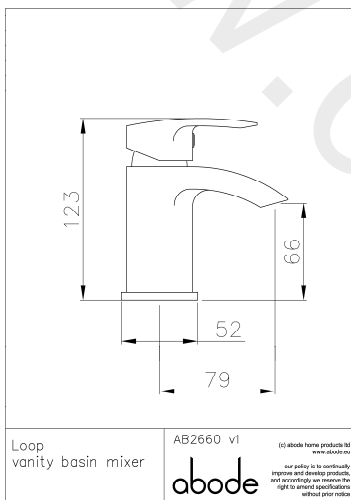
**Packaged properties:**

Box length (mm): 190      Box depth(mm): 100  
Box width(mm): 170      Boxed weight (Kg): 1.1

**Includes pop up waste?:** No

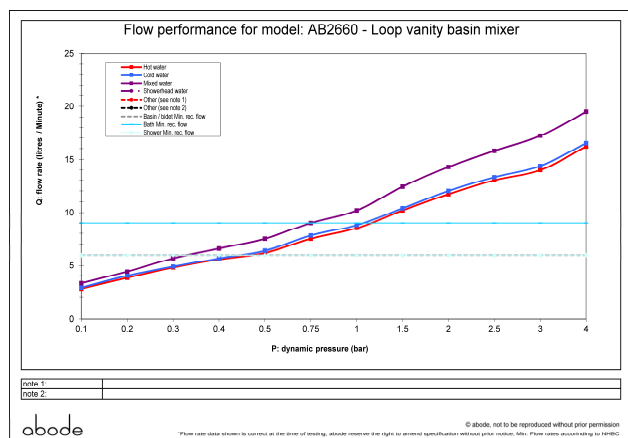
**Additional comments:**

**Product dimensions:**



- **Product mounted where:** Surface
- **Recommended hole size:** 35 mm
- **Overall Height / projection:** 123 mm
- **Exit reach:** 79 mm
- **Exit height:** 66 mm
- **Base size:** 52 mm
- **Inlet centre distance(s):** N/A mm
- **Min. fitting depth required:** N/A mm
- **Max. surface depth:** 35 mm

**Product flow characteristics:**



- **Min / Max water pressure (bar):** 0.20\* / 5.00
- **Part G max. mixed flow rate at 3 bar (l/m):** 22.9
- **Inlet connection type / length:** Flexible / 360 mm
- **Inlet (plumbing connection) / outlet size:** 1/2" F / M10
- **Product flow characteristics:** Single flow  
**Non return valve(s) supplied or position:** no
- **Aerator type:** None
- **Control valve type:** Single lever (35mm)
- **Includes output diverter?:**
- **Inlet meshed particle filters included:** N/A
- **Shower hose type / length:**

**Warranty Summary** (full details available on request):

- Materials and workmanship defects warranted for 5 years
- Valves and working parts warranted for 5 years
- Surface warranty defects warranted for 1 year
- O-rings, hoses & gaskets warranted for 1 year

**Care instructions:**

- Clean the mixers and showers regularly as required, using soap, do not use any other cleaners.
- Regular cleaning will prevent the build up of lime scale and dirt
- After cleaning rinse thoroughly with clean water to remove any cleaner residue
- Residues of liquid soaps, shampoos and shower foams can also cause damage, so rinse with clean water after using, avoid contact with any abrasives