



Product features:

- Metal construction throughout
- Single lever control for effortless single handed control
- Crisp modernist design lines

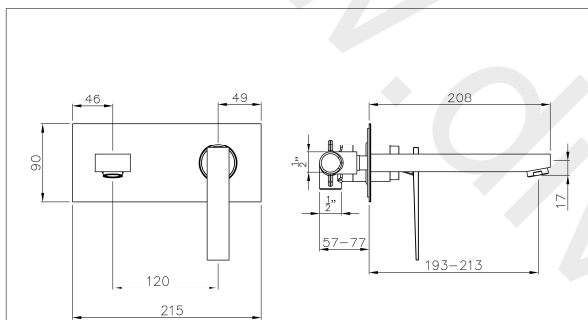
Packaged properties:

Box length (mm): 375 Box depth(mm): 100
Box width(mm): 140 Boxed weight (Kg): 1.9

Includes pop up waste?: No

Additional comments:

Product dimensions:



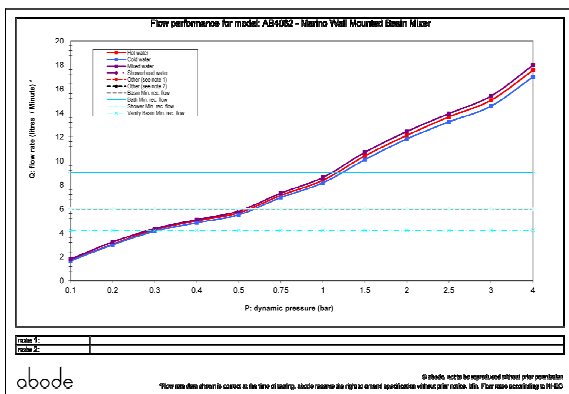
Marino
Wall Mounted
Basin Mixer

AB4082 v1
abode

(c) abode home products ltd
www.abode.eu
our policy is to continually
improve and develop products,
and accordingly we reserve the
right to amend specifications
without prior notice

- Product mounted where: Wall
- Recommended hole size: 195x70 mm
- Overall Height / projection: 208 mm
- Exit reach: 193-213 mm
- Exit height: 17 mm
- Base size: 215x90 mm
- Inlet centre distance(s): N/A mm
- Min. fitting depth required: 57-77 mm
- Max. surface depth: N/A mm

Product flow characteristics:



- Min / Max water pressure (bar): 0.50* / 5.50
- Part G max. mixed flow rate at 3 bar (l/m): 15.4
- Inlet connection type / length: Fixed / N/A mm
- Inlet (plumbing connection) / outlet size: 1/2" F / N/A
- Product flow characteristics: Single flow
- Non return valve(s) supplied or position: No
- Aerator type: Neoperl honeycomb (dark blue)
- Control valve type: Single lever (35mm)
- Includes output diverter?: N/A
- Inlet meshed particle filters included: N/A
- Shower hose type / length: N/A / N/A

Warranty Summary (full details available on request):

- Materials and workmanship defects warranted for 5 years
- Valves and working parts warranted for 5 years
- Surface warranty defects warranted for 1 year
- O-rings, hoses & gaskets warranted for 1 year

Care instructions:

- Clean the mixers and showers regularly as required, using soap, do not use any other cleaners.
- Regular cleaning will prevent the build up of lime scale and dirt
- After cleaning rinse thoroughly with clean water to remove any cleaner residue
- Residues of liquid soaps, shampoos and shower foams can also cause damage, so rinse with clean water after using, avoid contact with any abrasives