

Product features:

- Metal construction throughout
- Quarter turn handle action for precise flow control
- Custom designed for lower range pressures
- Fixed spout to prevent accidental water damage
- Adjustable to suit various thickness of wall



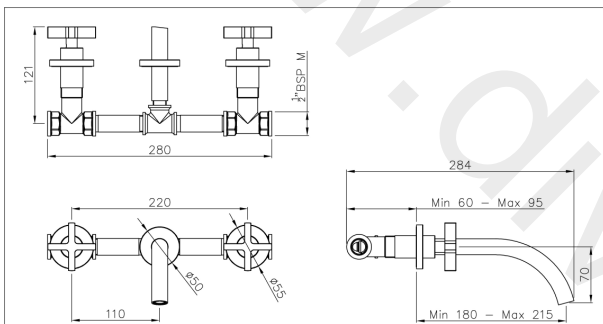
Packaged properties:

Box length (mm): 415 **Box depth(mm):** 95
Box width(mm): 180 **Boxed weight (Kg):** 2.36

Includes pop up waste?: No

Additional comments:

Product dimensions:



Serenitie
wall mounted
3 part Bath/Basin mixer

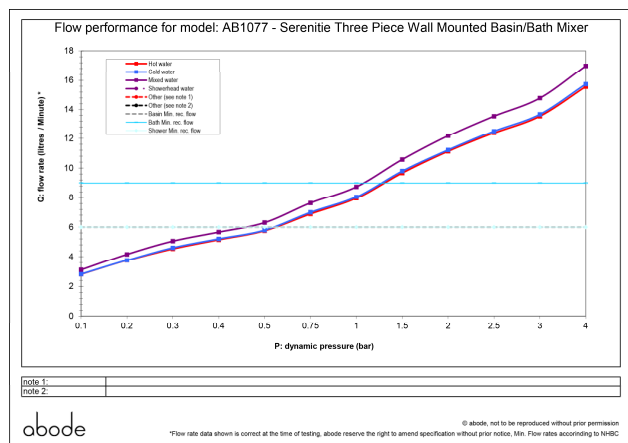


(c) abode home products for www.abode.eu
our policy is to continually improve and develop products, and accordingly we reserve the right to amend specifications without prior notice.

- **Product mounted where:** Wall
- **Recommended hole size:** 28, 20, 28 mm
- **Overall Height / projection:** 284 mm
- **Exit reach:** 180-215 mm
- **Exit height:** 70 mm
- **Base size:** 55, 50, 55 mm
- **Inlet centre distance(s):** 220 mm

- **Min. fitting depth required:** 60 - 195 mm/N/A mm
- **Max. surface depth:**

Product flow characteristics:



- **Min / Max water pressure (bar):** 0.50* / 5.00
- **Part G max. mixed flow rate at 3 bar (l/m):** 14.78
- **Inlet connection type / length:** Fixed / mm
- **Inlet (plumbing connection) / outlet size:** 1/2" F /
- **Product flow characteristics:** Single flow
Non return valve(s) supplied or position: N/A
- **Aerator type:** Cache TT
- **Control valve type:** 1/2" QT CD (6-20)
- **Includes output diverter?:** No
- **Inlet meshed particle filters included:** N/A
- **Shower hose type / length:** N/A / N/A

Warranty Summary (full details available on request):

- Materials and workmanship defects warranted for 5 years
- Valves and working parts warranted for 5 years
- Surface warranty defects warranted for 1 year
- O-rings, hoses & gaskets warranted for 1 year

Care instructions:

- Clean the mixers and showers regularly as required, using soap, do not use any other cleaners.
- Regular cleaning will prevent the build-up of lime scale and dirt
- After cleaning rinse thoroughly with clean water to remove any cleaner residue
- Residues of liquid soaps, shampoos and shower foams can also cause damage, so rinse with clean water after using, avoid contact with any abrasives