

**Product features:**

- Metal construction throughout
- Allows fast connection to rigid risers, sliding rails and hand showers
- Luscious European quality chromium plate finish
- 5 year limited warranty
- Minimalist planate design form

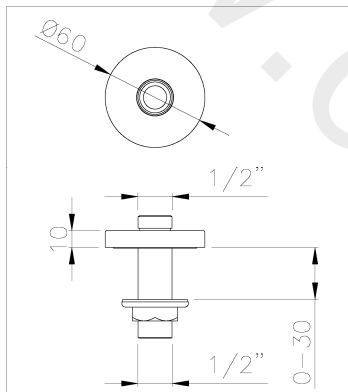
**Packaged properties:**

**Box length:** 150 mm      **Box depth:** 80 mm  
**Box width:** 70 mm      **Boxed weight:** 0.32 kg

**Includes pop up waste?:** No

**Additional comments:**

**Product dimensions:**



Euphoria  
round deck mounted  
1/2" outlet

AB2462 v1

(c) abode home products ltd  
www.abode.eu  
our policy is to continuously  
improve our products,  
and accordingly we reserve the  
right to amend specifications  
without prior notice.

- **Overall Height / projection:** 19 mm
- **Exit reach:** N/A mm
- **Exit height:** N/A mm
- **Centre distance(s):** N/A mm
- **Base diameter(s):** 60 mm
- **Product mounted where:** Surface
- **Recommended hole diameter:** 22 - 32 mm
- **Min. fitting depth required:** N/A mm
- **Max. surface depth:** 30 mm

**Product flow characteristics:**

- **Min / Max water pressure:** N/A / 5.00 bar
- **Part G mixed flow rate at 3 bar (l/m):** N/A
- **Max water temperature:** 70° C
- **Product flow characteristics:** N/A
- **Aerator type:** N/A
- **Includes output diverter?:** No
- **Control valve type:** N/A (N/A)
- **Non return valve position:** No
- **Mesh particle filter size:** N/A
- **Inlet / outlet size:** 1/2" M / 1/2" M
- **Inlet type / length:** Fixed / 74 mm
- **Shower hose type / length:** N/A / N/A

**FLOW GRAPH NOT APPLICABLE**

**Warranty Summary** (Full details available on request):

- Materials and workmanship defects warranted for 5 years
- Valves and working parts warranted for 5 years
- Surface warranty defects warranted for 1 year
- O-rings, hoses & gaskets warranted for 1 year

**Care instructions:**

- Clean the mixers and showers regularly as required, using soap, do not use any other cleaners.
- Regular cleaning will prevent the build up of lime scale and dirt
- After cleaning rinse thoroughly with clean water to remove any cleaner residue
- Residues of liquid soaps, shampoos and shower foams can also cause damage, so rinse with clean water after using, avoid contact with any abrasives