

Product features:

- Metal & ABS construction
- Crisp modernist design lines
- 5 year limited warranty
- Luscious European quality chromium plate finish

Packaged properties:

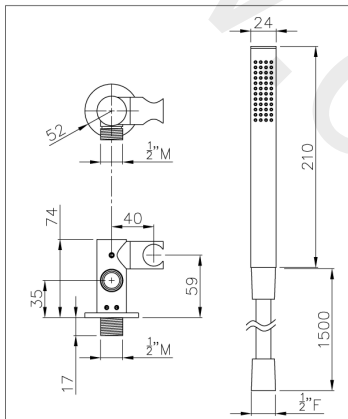
Box length (mm): 260 Box depth(mm): 80
Box width(mm): 140 Boxed weight (Kg): 1.60

Includes pop up waste?: No

Additional comments:

- Rotating outlet showerhead holder
- AB2433 - 1/2" flow limiter recommended for pressures over 1.5 bar

Product dimensions:



Euphoria circular combined wall outlet, bracket and handshower

AB2452-2 v1
abode

(c) abode home products ltd
www.abode.co.uk
our policy is to continually improve our products and accordingly we reserve the right to amend specifications without prior notice

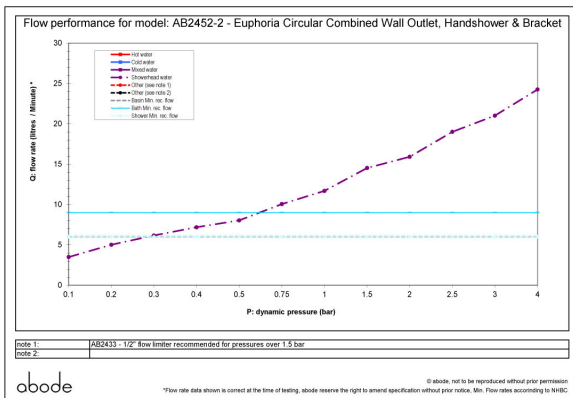
- **Product mounted where:** Wall
- **Recommended hole size:** N/A mm

- **Overall Height / projection:** 210 mm
- **Exit reach:** 59 mm
- **Exit height:** 30 mm
- **Base size:** 52 mm

- **Inlet centre distance(s):** N/A mm

- **Min. fitting depth required:** 60 mm N/A mm
- **Max. surface depth:** N/A

Product flow characteristics:



- **Min / Max water pressure (bar):** 0.30* / 5.00
- **Part G max. mixed flow rate at 3 bar (l/m):** 21.01
- **Inlet connection type / length:** Fixed / TBC mm
- **Inlet (plumbing connection) / outlet size:** 1/2" M / 1/2" M
- **Product flow characteristics:** N/A
- **Non return valve(s) supplied or position:** No
- **Aerator type:** N/A
- **Control valve type:** N/A (N/A)
- **Includes output diverter?:** No
- **Inlet meshed particle filters included:** N/A
- **Shower hose type / length:** Smoothflex / 1.50 m

Warranty Summary (full details available on request):

- Materials and workmanship defects warranted for 5 years
- Valves and working parts warranted for 5 years
- Surface warranty defects warranted for 1 year
- O-rings, hoses & gaskets warranted for 1 year

Care instructions:

- Clean the mixers and showers regularly as required, using soap, do not use any other cleaners.
- Regular cleaning will prevent the build-up of lime scale and dirt
- After cleaning rinse thoroughly with clean water to remove any cleaner residue
- Residues of liquid soaps, shampoos and shower foams can also cause damage, so rinse with clean water after using, avoid contact with any abrasives