



Product features:

- Metal construction throughout
- Minimalist planate design form
- 5 year limited warranty
- Luscious European quality chromium plate finish

Packaged properties:

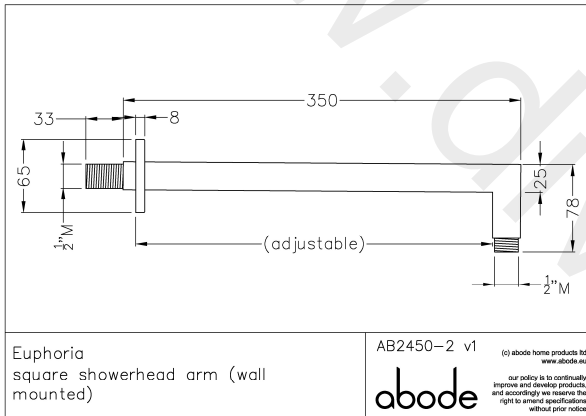
Box length (mm): 400 Box depth(mm): 35
Box width(mm): 97 Boxed weight (Kg): 0.46

Includes pop up waste?: N/A

Additional comments:

Adustable plinth location

Product dimensions:



- Product mounted where: Wall
- Recommended hole size: N/A mm
- Overall Height / projection: 350 mm
- Exit reach: 338 mm
- Exit height: 66 mm
- Base size: 65 mm
- Inlet centre distance(s): N/A mm

- Min. fitting depth required: 60 mm N/A mm
- Max. surface depth: N/A

Product flow characteristics:

FLOW GRAPH NOT APPLICABLE

- Min / Max water pressure (bar): N/A* / 5.00
- Part G max. mixed flow rate at 3 bar (l/m): N/A
- Inlet connection type / length: Fixed / 33 mm
- Inlet (plumbing connection) / outlet size: 1/2" M / 1/2" M
- Product flow characteristics: N/A
- Non return valve(s) supplied or position: No
- Aerator type: N/A
- Control valve type: N/A (N/A)
- Includes output diverter?: N/A
- Inlet meshed particle filters included: N/A
- Shower hose type / length: N/A / N/A

Warranty Summary (full details available on request):

- Materials and workmanship defects warranted for 5 years
- Valves and working parts warranted for 5 years
- Surface warranty defects warranted for 1 year
- O-rings, hoses & gaskets warranted for 1 year

Care instructions:

- Clean the mixers and showers regularly as required, using soap, do not use any other cleaners.
- Regular cleaning will prevent the build-up of lime scale and dirt
- After cleaning rinse thoroughly with clean water to remove any cleaner residue
- Residues of liquid soaps, shampoos and shower foams can also cause damage, so rinse with clean water after using, avoid contact with any abrasives