



Product features:

- Metal & ABS construction
- Custom designed for lower range pressures
- Luscious European quality chromium plate finish
- Adjustable to suit various thickness of wall
- 5 year limited warranty

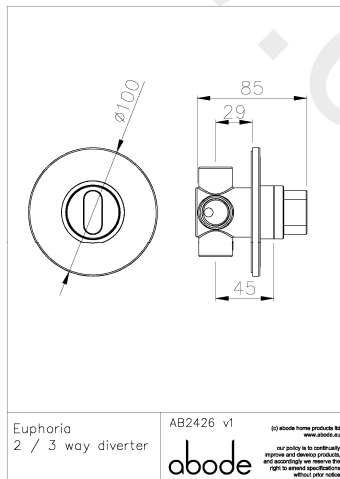
Packaged properties:

Box length: 250 mm **Box depth:** 85 mm
Box width: 125 mm **Boxed weight:** 0.74 kg

Includes pop up waste?: No

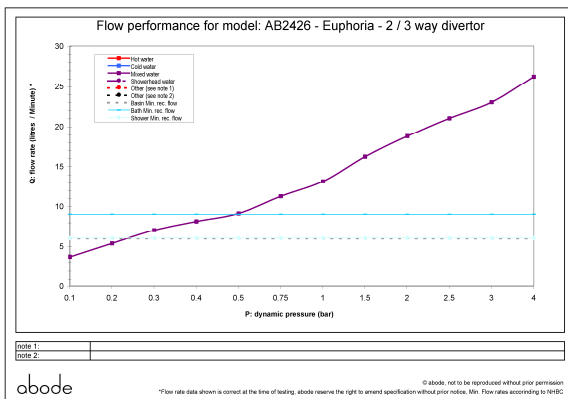
Additional comments:
 ABS wall plate

Product dimensions:



- Overall Height / projection: 43 mm
- Exit reach:
- Exit height:
- Centre distance(s):
- Base diameter(s): 100 mm
- Product mounted where: Wall
- Recommended hole diameter:
- Min. fitting depth required: 50 mm
- Max. surface depth:

Product flow characteristics:



- Min / Max water pressure: 0.5 / 5 bar
- Part G mixed flow rate at 3 bar (l/m): 23
- Max water temperature: 70° C
- Product flow characteristics:
- Aerator type:
- Includes output diverter?: Yes
- Control valve type: Diverter ()
- Non return valve position:
- Mesh particle filter size:
- Inlet / outlet size: 1/2" F / 1/2" F
- Inlet type / length: Fixed / mm
- Shower hose type / length:

Warranty Summary (Full details available on request):

- Materials and workmanship defects warranted for 5 years
- Valves and working parts warranted for 5 years
- Surface warranty defects warranted for 1 year
- O-rings, hoses & gaskets warranted for 1 year

Care instructions:

- Clean the mixers and showers regularly as required, using soap, do not use any other cleaners.
- Regular cleaning will prevent the build up of lime scale and dirt
- After cleaning rinse thoroughly with clean water to remove any cleaner residue
- Residues of liquid soaps, shampoos and shower foams can also cause damage, so rinse with clean water after using, avoid contact with any abrasives