

Product features:



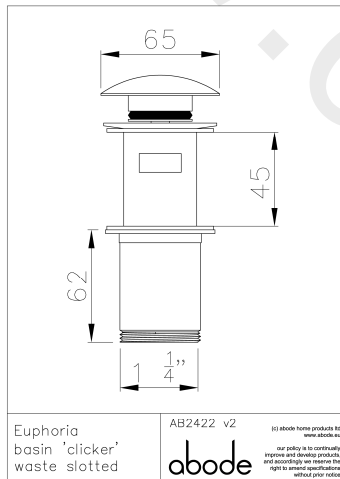
Packaged properties:

Box length: 112 mm **Box depth:** 78 mm
Box width: 78 mm **Boxed weight:** 0.38 kg

Includes pop up waste?: No

Additional comments:
 Slotted waste

Product dimensions:



- Overall Height / projection: 105 mm
- Exit reach:
- Exit height:
- Centre distance(s):
- Base diameter(s):
- Product mounted where: Surface
- Recommended hole diameter: Ø 43-55 mm
- Min. fitting depth required:
- Max. surface depth: 45 mm

Product flow characteristics:

FLOW GRAPH NOT APPLICABLE

- Min / Max water pressure: / bar
- Part G mixed flow rate at 3 bar (l/m): N/A
- Max water temperature:
- Product flow characteristics:
- Aerator type:
- Includes output diverter?: No
- Control valve type: ()
- Non return valve position:
- Mesh particle filter size:
- Inlet / outlet size: / 1 1/4" M
- Inlet type / length: / mm
- Shower hose type / length:

Warranty Summary (Full details available on request):

- Materials and workmanship defects warranted for 5 years
- Valves and working parts warranted for 5 years
- Surface warranty defects warranted for 1 year
- O-rings, hoses & gaskets warranted for 1 year

Care instructions:

- Clean the mixers and showers regularly as required, using soap, do not use any other cleaners.
- Regular cleaning will prevent the build up of lime scale and dirt
- After cleaning rinse thoroughly with clean water to remove any cleaner residue
- Residues of liquid soaps, shampoos and shower foams can also cause damage, so rinse with clean water after using, avoid contact with any abrasives