

**Product features:**

- Metal construction throughout
- Single spray pattern showerhead
- Swivel showerhead connector for maximum flexibility
- The perfect combination of European design styles

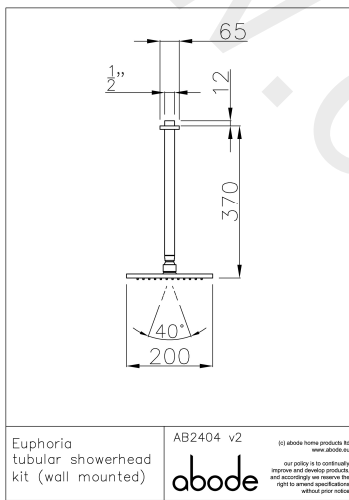
**Packaged properties:**

Box length (mm): 520      Box depth(mm): 105  
Box width(mm): 215      Boxed weight (Kg): 1.4

**Includes pop up waste?:** No

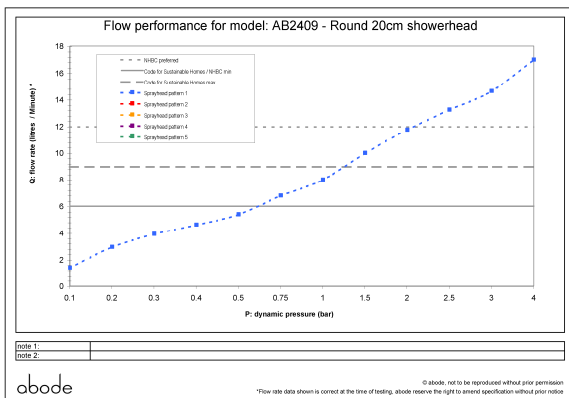
**Additional comments:**  
See AB2415 & AB2409

**Product dimensions:**



- **Product mounted where:** Roof
- **Recommended hole size:** 370 mm
- **Overall Height / projection:** 370 mm
- **Exit reach:** 65 mm
- **Exit height:**
- **Base size:**
- **Inlet centre distance(s):**
- **Min. fitting depth required:**
- **Max. surface depth:**

**Product flow characteristics:**



- **Min / Max water pressure (bar):** 0.30\* / 5.00
- **Part G max. mixed flow rate at 3 bar (l/m):** 14.64
- **Inlet connection type / length:** 0 / mm
- **Inlet (plumbing connection) / outlet size:** 0 / 1 1/2" M
- **Product flow characteristics:**  
Non return valve(s) supplied or position:
- **Aerator type:**
- **Control valve type:** ( )
- **Includes output diverter?:** No
- **Inlet meshed particle filters included:**
- **Shower hose type / length:**

**Warranty Summary (full details available on request):**

- Materials and workmanship defects warranted for 5 years
- Valves and working parts warranted for 5 years
- Surface warranty defects warranted for 1 year
- O-rings, hoses & gaskets warranted for 1 year

**Care instructions:**

- Clean the mixers and showers regularly as required, using soap, do not use any other cleaners.
- Regular cleaning will prevent the build up of lime scale and dirt
- After cleaning rinse thoroughly with clean water to remove any cleaner residue
- Residues of liquid soaps, shampoos and shower foams can also cause damage, so rinse with clean water after using, avoid contact with any abrasives