

Product features:

- Metal construction throughout
- Single spray pattern showerhead
- Luscious European quality chromium plate finish
- Rub clean anti limescale spray nozzles

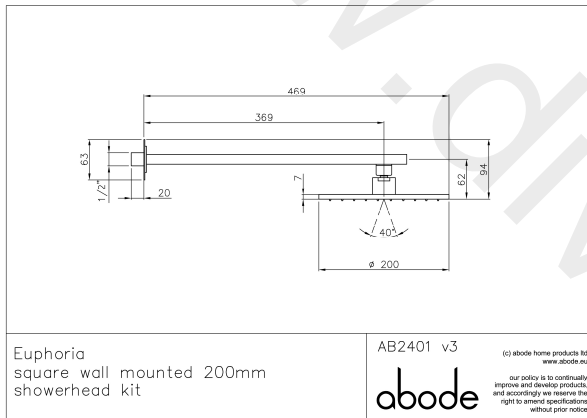
Packaged properties:

Box length (mm): 445 Box depth(mm): 120
Box width(mm): 215 Boxed weight (Kg): 1.6

Includes pop up waste?: No

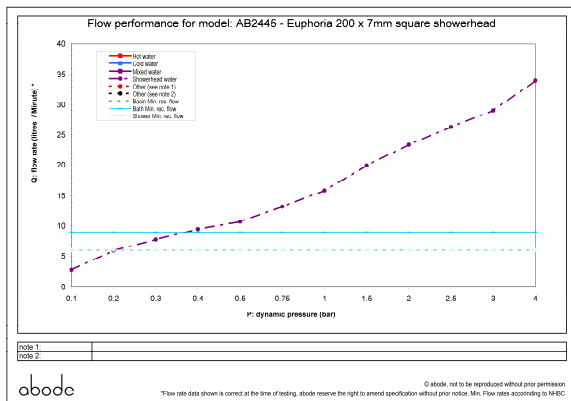
Additional comments:

Product dimensions:



- Product mounted where: Wall
- Recommended hole size: n/a mm
- Overall Height / projection: 94 mm
- Exit reach: 369 mm
- Exit height: 62 mm
- Base size: □ 63 mm
- Inlet centre distance(s): n/a mm
- Min. fitting depth required: 60 mm
- Max. surface depth: n/a mm

Product flow characteristics:



- Min / Max water pressure (bar): 0.20* / 5.00
- Part G max. mixed flow rate at 3 bar (l/m): 29.07
- Inlet connection type / length: Fixed / TBC mm
- Inlet (plumbing connection) / outlet size: 1/2" M / 1/2" M
- Product flow characteristics: N/a
- Non return valve(s) supplied or position: No
- Aerator type: N/a
- Control valve type: N/a (n/a)
- Includes output diverter?: No
- Inlet meshed particle filters included: N/A
- Shower hose type / length: N/A / N/A

Warranty Summary (full details available on request):

- Materials and workmanship defects warranted for 5 years
- Valves and working parts warranted for 5 years
- Surface warranty defects warranted for 1 year
- O-rings, hoses & gaskets warranted for 1 year

Care instructions:

- Clean the mixers and showers regularly as required, using soap, do not use any other cleaners.
- Regular cleaning will prevent the build up of lime scale and dirt
- After cleaning rinse thoroughly with clean water to remove any cleaner residue
- Residues of liquid soaps, shampoos and shower foams can also cause damage, so rinse with clean water after using, avoid contact with any abrasives