

Product features:

- Metal & ABS construction
- Smoothflex shower hose for stylish durability
- Multi spray pattern showerhead
- Luscious European quality chromium plate finish
- Minimalist planate design form

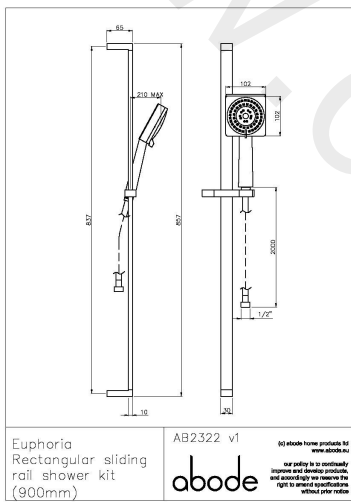
Packaged properties:

Box length (mm): 920	Box depth(mm): 55
Box width(mm): 150	Boxed weight (Kg): 1.2

Includes pop up waste?: No

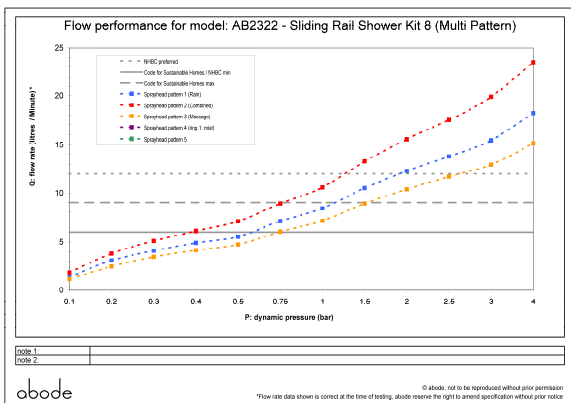
Additional comments:
3 pattern shower

Product dimensions:



- **Product mounted where:** Wall
- **Recommended hole size:** n/a mm
- **Overall Height / projection:** 857 mm
- **Exit reach:** 210 mm
- **Exit height:** adjustable mm
- **Base size:** 30x 15 mm
- **Inlet centre distance(s):** 837 mm
- **Min. fitting depth required:** 35 mm
- **Max. surface depth:** n/a mm

Product flow characteristics:



- **Min / Max water pressure (bar):** 0.60* / 5.50
- **Part G max. mixed flow rate at 3 bar (l/m):** 19.89
- **Inlet connection type / length:** N/a / n/a mm
- **Inlet (plumbing connection) / outlet size:** 1/2" F / 1/2" F
- **Product flow characteristics:** N/a
- **Non return valve(s) supplied or position:** no
- **Aerator type:** N/a
- **Control valve type:** N/a (n/a)
- **Includes output diverter?:** No
- **Inlet meshed particle filters included:** n/a
- **Shower hose type / length:** Smoothflex / 2.00 m

Warranty Summary (full details available on request):

- Materials and workmanship defects warranted for 5 years
- Valves and working parts warranted for 5 years
- Surface warranty defects warranted for 1 year
- O-rings, hoses & gaskets warranted for 1 year

Care instructions:

- Clean the mixers and showers regularly as required, using soap, do not use any other cleaners.
- Regular cleaning will prevent the build up of lime scale and dirt
- After cleaning rinse thoroughly with clean water to remove any cleaner residue
- Residues of liquid soaps, shampoos and shower foams can also cause damage, so rinse with clean water after using, avoid contact with any abrasives