

Product features:

- Metal & ABS construction
- Multi spray pattern showerhead
- 5 year limited warranty
- A modern design classic style
- Luscious European quality chromium plate finish

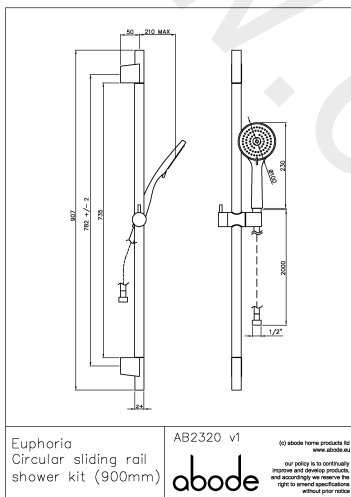
Packaged properties:

Box length (mm): 800 Box depth(mm): 80
 Box width(mm): 220 Boxed weight (Kg): 0.9

Includes pop up waste?: N/A

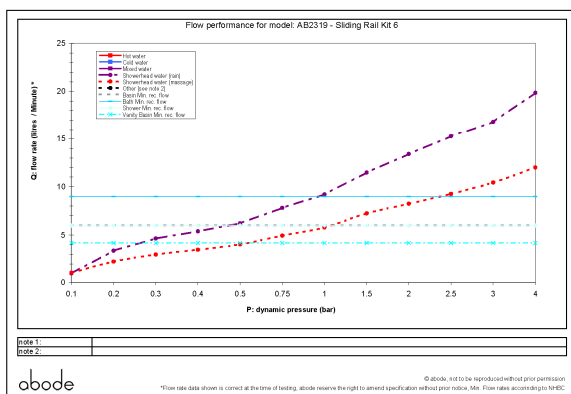
Additional comments:

Product dimensions:



- Product mounted where: Wall
- Recommended hole size: n/a mm
- Overall Height / projection: 907 mm
- Exit reach: 210 mm
- Exit height: adjustable mm
- Base size: 44 x 28 mm
- Inlet centre distance(s): 782 +/- 2 mm
- Min. fitting depth required: 35 mm
- Max. surface depth: N/A mm

Product flow characteristics:



- Min / Max water pressure (bar): 0.50* / 5.50
- Part G max. mixed flow rate at 3 bar (l/m): 16.81
- Inlet connection type / length: N/a / n/a mm
- Inlet (plumbing connection) / outlet size: 1/2" F / 1/2" F
- Product flow characteristics: N/A
- Non return valve(s) supplied or position: no
- Aerator type: Dark grey silicone rub clean nozzles
- Control valve type: N/A (N/A)
- Includes output diverter?: No
- Inlet meshed particle filters included: n/a
- Shower hose type / length: Smoothflex / 2.00 m

Warranty Summary (full details available on request):

- Materials and workmanship defects warranted for 5 years
- Valves and working parts warranted for 5 years
- Surface warranty defects warranted for 1 year
- O-rings, hoses & gaskets warranted for 1 year

Care instructions:

- Clean the mixers and showers regularly as required, using soap, do not use any other cleaners.
- Regular cleaning will prevent the build up of lime scale and dirt
- After cleaning rinse thoroughly with clean water to remove any cleaner residue
- Residues of liquid soaps, shampoos and shower foams can also cause damage, so rinse with clean water after using, avoid contact with any abrasives