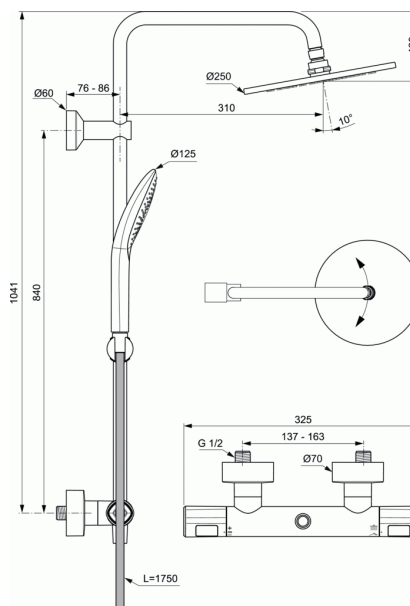


CERATHERM T100

Shower system with exposed thermostatic mixer and Idealrain EvoJET hand shower



Shower system with exposed thermostatic mixer and Idealrain EvoJET hand shower

- Ceratherm T100 exposed shower thermostatic mixer
- Exposed model, S-connection with hidden nuts
- IS Thermostatic cartridge new technology
- Ceramic valve G1/2 180°
- Cool body technology
- Diamond metal handles with hot water at 40°C stop button and 50% water volume stop button
- Non return valve
- 2-functional metal shower head Ø250 mm, round
- Angle adjustable shower arm
- 125 mm 3F Idealrain Evojet Round hand shower with 8 l/min water flow limiter
- Horizontally adjustable wall bracket for fixation to the wall (up to 10 mm)
- 1750 mm Idealflex shower hose
- Comply with EN 1111

Optional equipment:

- Riser rail extension 150 mm A861379AA
- Riser rail extension 300 mm A861380AA

FINISHES*



AA

* AA = Chrome