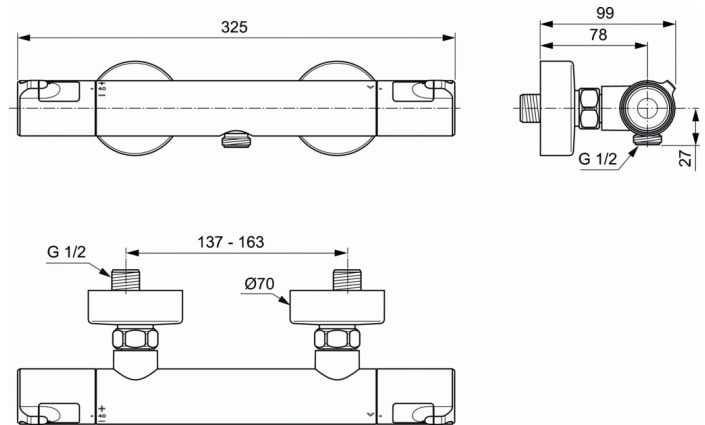


CERATHERM T50

Exposed thermostatic shower mixer



Exposed thermostatic shower mixer

- Standard S-connectors
- IS Thermostatic cartridge new technology
- Ceramic valve G1/2 180°
- Cool body technology
- Without accessories
- Fin Metal handles with hot water at 40°C stop button and 50% water volume stop button
- Non return valve
- Comply with EN 1111

Optional equipment:
Wrap over shelf for T25, T50 and T100 Ideal Standard A7215AA

FINISHES*



* AA = Chrome