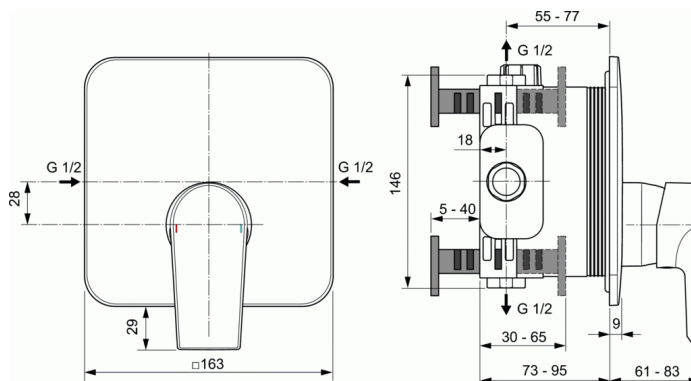


## EDGE Built-in shower mixer



### Built-in shower mixer

Built-in Kit 2 based on A1000NU

47 mm Click cartridge

Metal handle with logo Ideal Standard and red/blue printing

Chrome plated metal escutcheon

Noise class 1

To be used only in combination with A1000NU Kit 1 (internal part)

Comply with EN817

Necessary equipment:

EASY-BOX universal built-in Kit 1 (A1000NU)

### FINISHES\*



AA

\* AA = Chrome

### KEY FEATURES & BENEFITS

