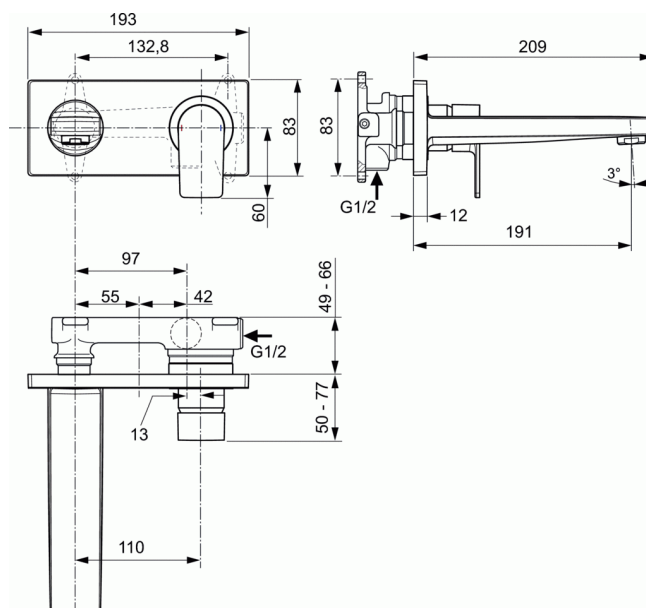


## EDGE Built-in basin mixer



### Built-in basin mixer

28 mm ceramic IS cartridge

Built-in Kit 2 based on A5948NU

Cast spout 180 mm

Metal handle with logo Ideal Standard and red/blue printing

Aerator Perlator M24x1 with 5 l/min flow rate limiter

Noise class 1

To be used only in combination with A5948NU Kit 1 (internal part)

Comply with EN817

Necessary equipment:

Built-in system Kit 1 for built-in basin mixer (A5948NU)

### FINISHES\*



AA

\* AA = Chrome

### KEY FEATURES & BENEFITS

