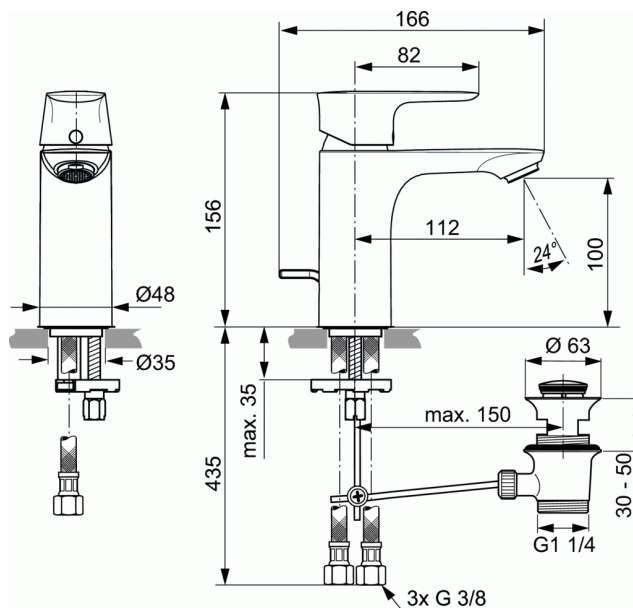


CONNECT AIR

One-hole basin mixer, project



One-hole basin mixer, project

- For low pressure ND
- Brass cast body Ø48 mm
- Metal handle with red and blue colour indication - printed on handle
- Front handle fixation, chromed button
- Flow liner M 24 X 1 ND
- 38 mm cartridge FirmaFlow® ISI with hot water limiter, no Click
- 3 pcs Flexible hoses PEX G3/8"
- Easy-Fix fixation with centering & sealing ring
- Metal pop-up waste
- Noise class 1
- Finishes:
 - technology electroplating (AA)
 - technology PVD (GN, A2, A5) - available in August 2020
- Comply with EN817

FINISHES*



* AA = Chrome, GN = Silver Storm, A2 = Brushed Gold, A5 = Magnetic Grey

KEY FEATURES & BENEFITS

