

# CeraTherm 100 New A6988..

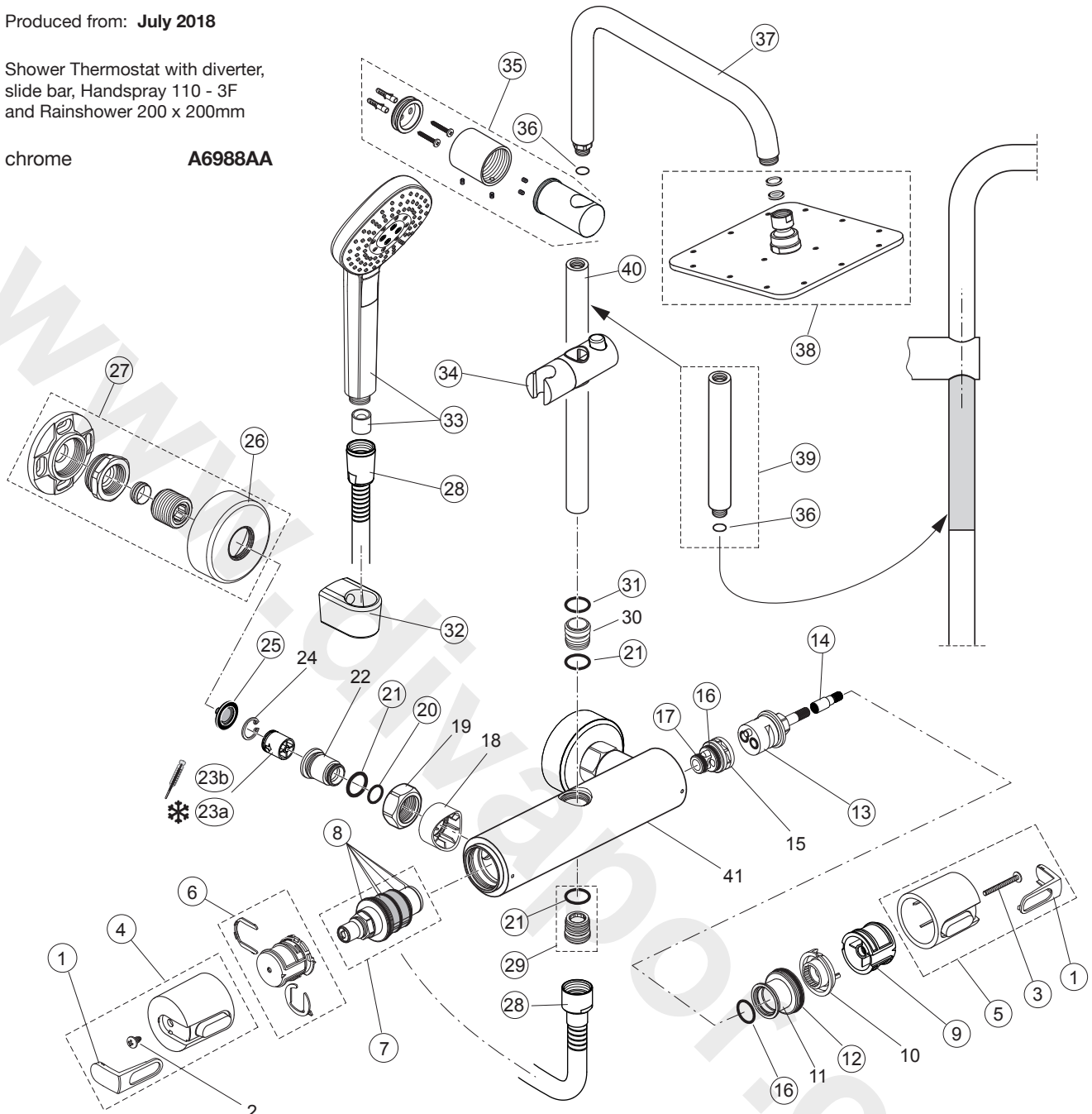


Produced from: **July 2018**

Shower Thermostat with diverter,  
slide bar, Handspray 110 - 3F  
and Rainshower 200 x 200mm

chrome

**A6988AA**



| Pos. | Description                | Part-Number          | Qty.  | Pos. | Description                 | Part-Number         | Qty.  |
|------|----------------------------|----------------------|-------|------|-----------------------------|---------------------|-------|
| 1    | Handle cap w. and w/o Logo | <b>A 962 872 AA*</b> | 1 Set | 23a  | Non-return valve DW15 CW    | <b>A 962 594 NU</b> | 2 pcs |
| 2    | Screw Ejot PT KB50x10      |                      |       | 23b  | Non-return valve DW15 HW    | <b>F 960 942 NU</b> | 1 pcs |
| 3    | Screw M4 L=23,5            | <b>A 962 998 NU</b>  | 2 pcs | 24   | Lock Ring                   |                     |       |
| 4    | Handle for Temperature     | <b>A 962 870 AA</b>  | 1 Set | 25   | Strainer ( screen )         | <b>A 962 595 NU</b> | 2 pcs |
| 5    | Handle for Volume control  | <b>A 962 871 AA</b>  | 1 Set | 26   | Escutcheon                  | <b>B 960 242 AA</b> | 1 pcs |
| 6    | Temp. adjustment cpl.      | <b>A 963 427 NU*</b> | 1 Set | 27   | Shower bracket (connect.)   | <b>B 961 042 AA</b> | 2 pcs |
| 7    | Thermostatic Cartridge     | <b>A 962 229 NU</b>  | 1 pcs | 28   | Schower hose 1750mm         | <b>A 4109 AA</b>    | 1 pcs |
| 8    | Repair-Set Cartridge       | <b>A 962 230 NU</b>  | 1 Set | 29   | Nipple G1/2 outside cpl.    | <b>A 963 651 NU</b> | 1 pcs |
| 9    | Handle insert ( Set )      | <b>A 963 432 NU</b>  | 1 Set | 30   | Connector nipple shower bar |                     |       |
| 10   | Volume control stop ring   | <b>A 962 563 NU</b>  | 1 pcs | 31   | O - Ring Ø 18,6 x 2,6       | <b>A 860 933 NU</b> | 1 pcs |
| 11   | Threaded Ring M34 x 1,5    |                      |       | 32   | Shower hose bracket         | <b>B 1364 AA</b>    | 1 Set |
| 12   | O - ring Ø 28 x 2          | <b>A 963 299 NU</b>  | 1 pcs | 33   | Handspray Ø110-3F-8l/min    | <b>B 2232 AA</b>    | 1 pcs |
| 13   | Stop valve with diverter   | <b>A 962 568 NU</b>  | 1 pcs | 34   | Slider & holder f. handshr. | <b>A 860 807 AA</b> | 1 pcs |
| 14   | Extension                  |                      |       | 35   | Wall fixation complete      | <b>F 960 891 AA</b> | 1 Set |
| 15   | Manifold diverter          |                      |       | 36   | O - ring                    | <b>A 961 332 NU</b> | 1 pcs |
| 16   | O - ring Ø 18,77 x 1,78    | <b>A 962 529 NU</b>  | 1 pcs | 37   | Pipe (bend)                 | <b>F 961 146 AA</b> | 1 pcs |
| 17   | O - ring Ø 12,42 x 1,78    | <b>A 961 332 NU</b>  | 2 pcs | 38   | Headshower 200x200mm        | <b>B 0024 AA</b>    | 1 pcs |
| 18   | Escutcheon                 |                      |       | 39   | Extension kit 150mm long    | <b>A 860 873 AA</b> | 1 pcs |
| 19   | Coupling nut G3/4          |                      |       | 40   | Shower bar                  | <b>A 861 143 AA</b> | 1 pcs |
| 20   | O - ring Ø 14 x 1,78       | <b>F 960 894 NU</b>  | 2 pcs | 41   | Body                        |                     |       |
| 21   | O - ring Ø 17 x 2          | <b>A 961 810 NU</b>  | 2 pcs |      |                             |                     |       |
| 22   | Seat M20x1 left thread     |                      |       |      |                             |                     |       |

\*Universal set (not all parts needed)